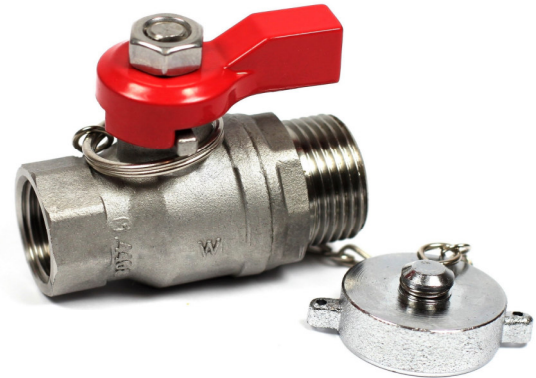


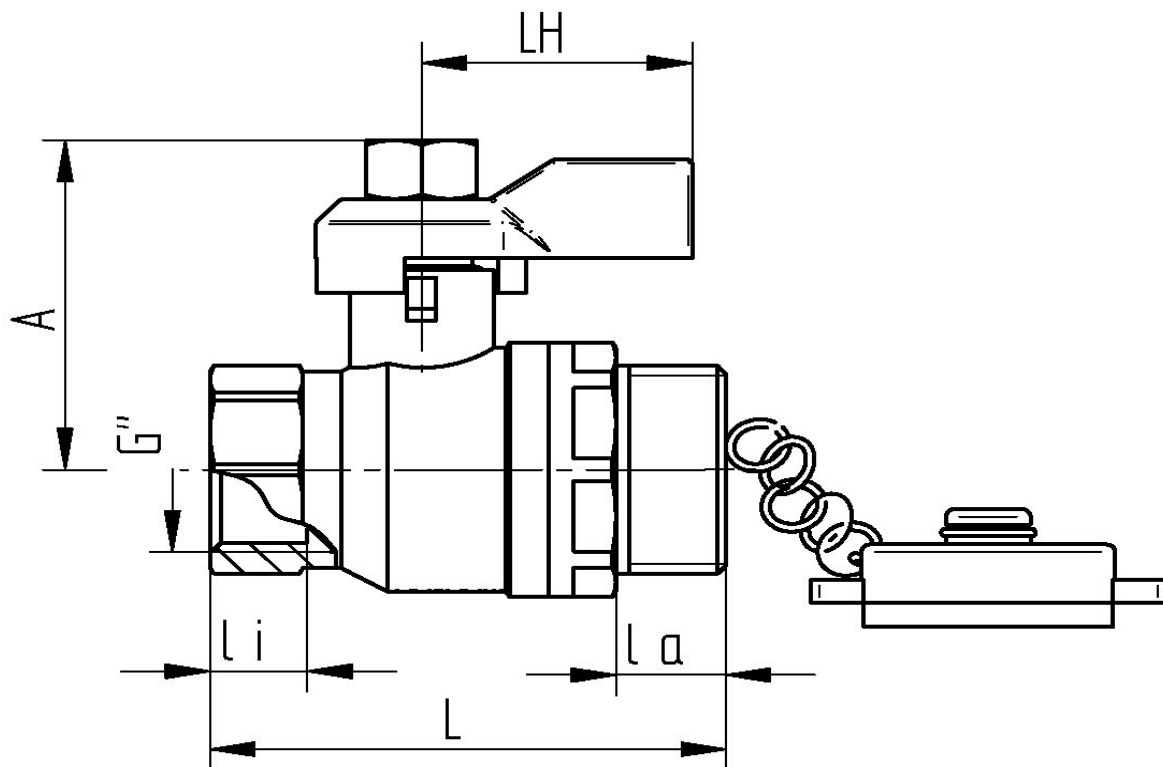
StainStainless steel

TECHNICAL DATA

temperature range :	up to max. + 180°C, pressure-dependent
pressure range :	max. PN 40 bar
connecting thread:	according to DIN EN ISO 228-1
body material :	Stainless steel 1.4408
ball :	Stainless steel 1.4408
stem :	Stainless steel 1.4408
ball seat:	PTFE
stem packing:	2-fold PTFE+Graphit, with packing gland
handle:	die-cast zinc, red coated



Connecting thread female / male



Art. Nr.	G"	L mm	la mm	li mm	A mm	LH mm	SW	PN bar	weight (g)
1543-45	1/2"	61	13	11,5	42	32	31	40	266