

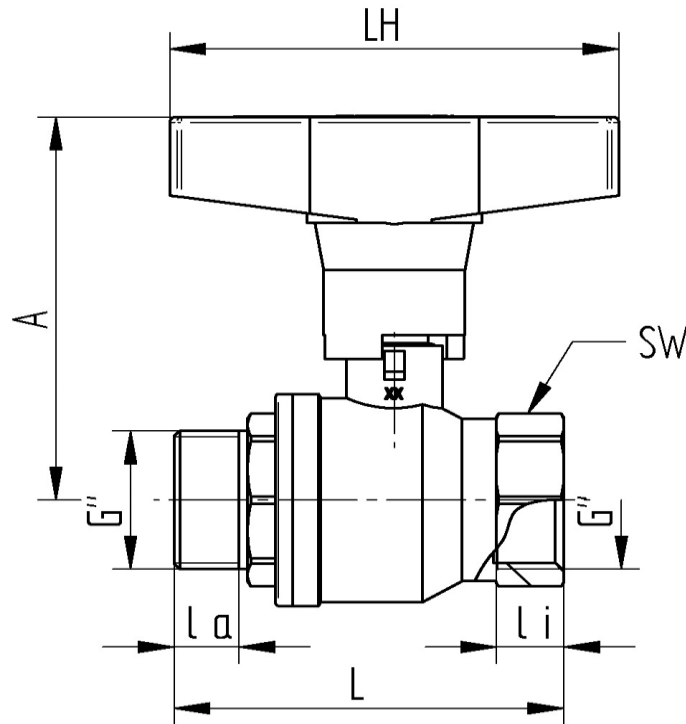
## Stainless steel

### TECHNICAL DATA

operating temperature:	-30°C to max. +180°C, dependent on pressure
working pressure:	max. PN 40 bar
connecting thread:	according to DIN EN ISO 228/1
body material :	stainless steel 1.4408
female end:	stainless steel 1.4408
ball :	stainless steel 1.4408
ball seal :	PTFE
stem :	stainless steel 1.4408
stem seals :	PTFE
T-lever:	aluminium, black painted



### Connecting thread female/male



Art. Nr.	G"	DN	L mm	la mm	li mm	A mm	LH mm	SW mm	PN bar	weight (g)
9371-02	1/4"	8	48	9	9	61,5	80	20	40	184
9371-03	3/8"	10	48	9	9	61,5	80	20	40	184
9371-04	1/2"	15	61	10	10	67	80	26	40	263
9371-05	3/4"	20	69	12	12	72,5	80	31	40	365
9371-06	1"	25	81	13	13	79,5	80	38	40	530
9371-07	1 1/4"	32	91	16	16	86,5	120	48	25	879
9371-08	1 1/2"	40	102	16	18	93,5	120	54	25	1181
9371-09	2"	50	115	16	18	106,5	120	66	25	2047