

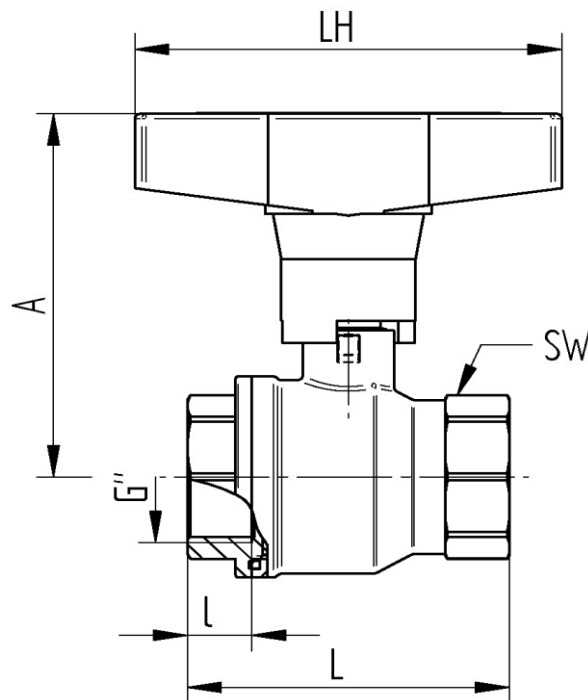
Stainless steel

TECHNICAL DATA

operating temperature:	-30°C to max. +180°C, dependent on pressure
working pressure:	max. PN 40 bar
connecting thread:	according to DIN EN ISO 228/1
body material :	stainless steel 1.4408
female end:	stainless steel 1.4408
ball :	stainless steel 1.4408
ball seal :	PTFE
stem :	stainless steel 1.4408
stem seals :	PTFE
T-lever:	aluminium, black painted



Connecting thread female/female



Art.Nr.	G"	DN	Lmm	l mm	A mm	LH mm	SW mm	PN bar	weight (g)
9370-02	1/4"	8	40	10	61,5	80	20	40	175
9370-03	3/8"	10	40	9	61,5	80	20	40	175
9370-04	1/2"	15	50	10	67	80	25	40	230
9370-05	3/4"	20	60	12	72,5	80	31	40	340
9370-06	1"	25	68	13	79,5	80	38	40	460
9370-07	1 1/4"	32	80	16	86,5	120	48	25	820
9370-08	1 1/2"	40	94	18	93,5	120	54	25	1190
9370-09	2"	50	106	18	106,5	120	66	25	2010

