

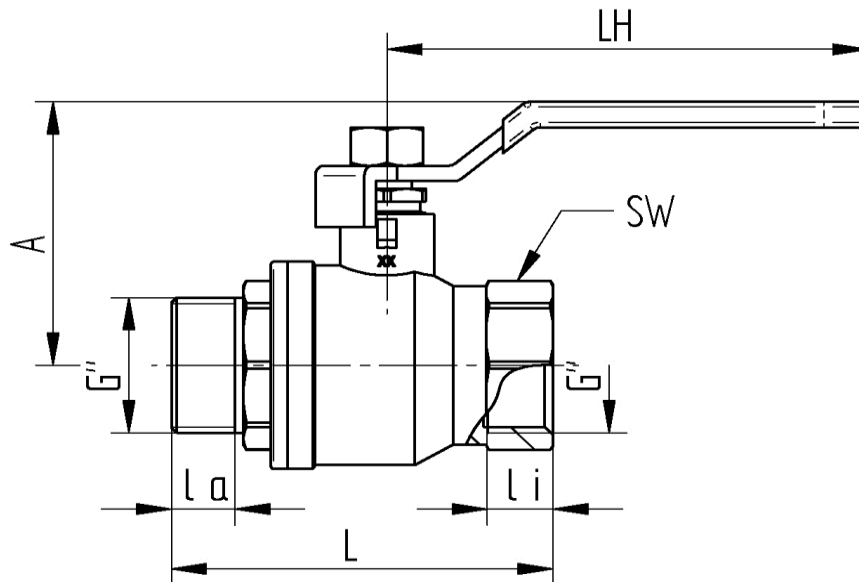
## Stainless steel

### TECHNICAL DATA

Design:	2-way ball valve, full bore
Construction:	2-part design
Connection end:	Threaded ends acc.to DIN EN ISO 228-1
Medium temperature:	-30°C to +180°C pressure-dependent
Medium pressure:	Max.40 bar temperature-dependent
Body:	Stainless steel 1.4408
Body cap:	Stainless steel 1.4408
Ball:	Stainless steel 1.4408
Stem:	Stainless steel 1.4408 Blow-out proof
Ball seal:	PTFE
Stem seal:	2-fold PTFE
Actuation:	Hand lever with locking device Stainless steel 1.4301, blue plastic sleeve



## Connecting thread female/male



Item No.	G"	DN	L mm	la mm	li mm	A mm	LH mm	SW mm	PN bar	weight (g)
9361-03	3/8"	10	48	9	9	38	94	20	40	164
9361-04	1/2"	15	61	10	10	43	94	26	40	248
9361-05	3/4"	20	69	12	12	49	94	31	40	358
9361-06	1"	25	81	13	13	59	115	38	40	527
9361-07	1 1/4"	32	91	16	16	68	130	48	25	911
9361-08	1 1/2"	40	102	16	18	76	130	54	25	1215
9361-09	2"	50	115	16	18	88	154	66	25	2121