

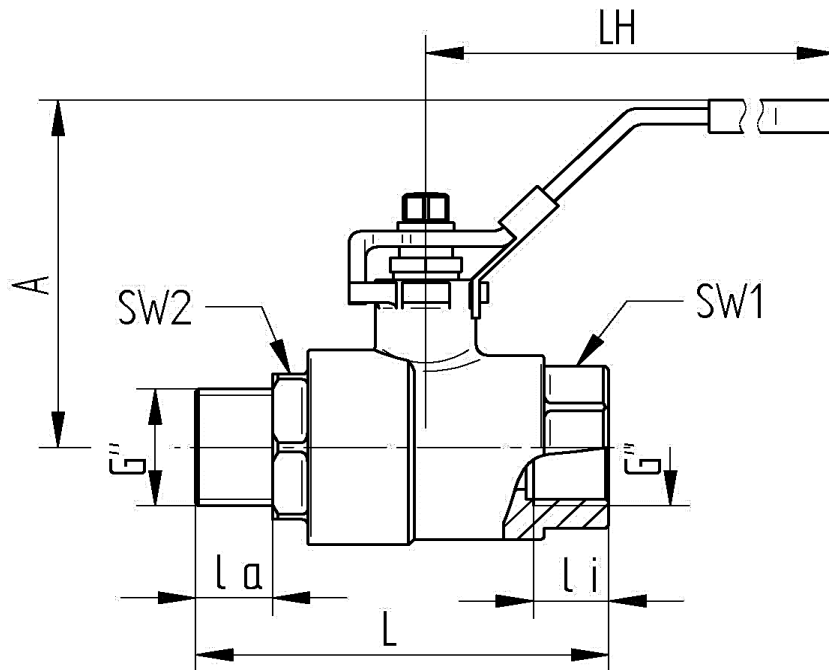
Stainless steel

TECHNICAL DATA

Construction:	2-way ball valve, full bore
Design:	2-part design
Connection end:	Long thread to DIN EN ISO 228-1
Medium temperature:	-20°C to +180°C pressure-dependent
Medium nominal pressure	Max. 63 bar temperature-dependent
Body:	Stainless steel 1.4408
Screw-in socket:	Stainless steel 1.4408
Ball:	Stainless steel 1.4408
Spindle:	Stainless steel 1.4401 blow-out proof
Ball seal:	RPTFE + 3%GF
Spindle seal:	RPTFE with stuffing box
Actuation:	Handle lever with lockable Stainless steel 1.4301, plastic sleeve blue



Connecting thread female/male



Item No.	G"	DN	Lmm	la mm	li mm	A mm	LH mm	SW 1	SW 2	PN	Weight (g)
9311-02	1/4"	8	56,5	11,0	10,5	44	103	17	15	63	185
9311-03	3/8"	10	58,2	11,4	10,5	44	103	20,8	18	63	200
9311-04	1/2"	15	69	15,0	13	49	103	25,5	23	63	273
9311-05	3/4"	20	77,7	16,5	13,2	59	126	31	28	63	417
9311-06	1"	25	90,5	19,0	15,2	63	126	38,5	35	63	580
9311-07	1 1/4"	32	105,5	21,5	18	80	154	48	44	63	1070
9311-08	1 1/2"	40	114,2	21,5	18,3	84	154	54	50	63	1480
9311-09	2"	50	139,5	26,0	22,5	94	192	67	62	63	2640