

Stainless steel

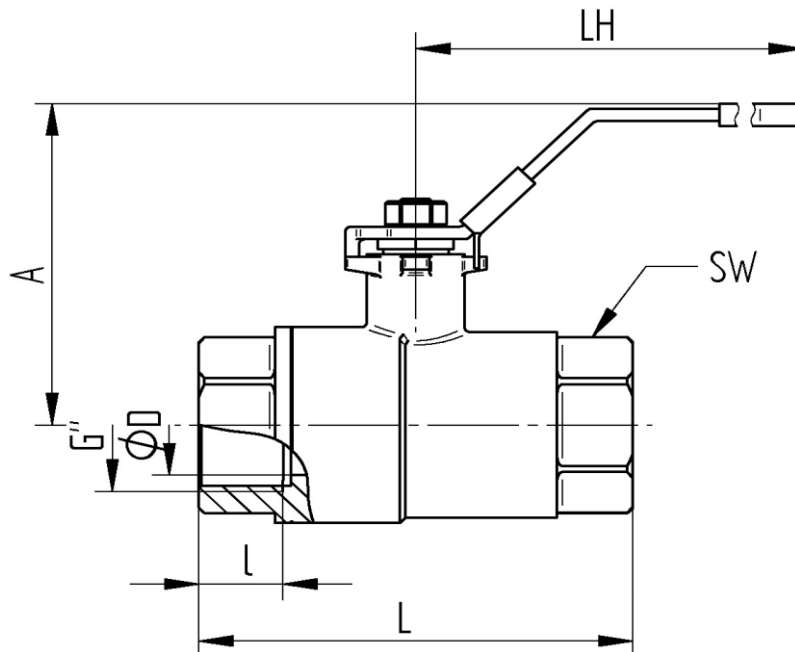
TECHNICAL DATA

operating temperature:	- 20° C up to + 180 ° C, dependent on pressure
working pressure:	max. PN 63 bar compressed air max. 10 bar
connecting thread:	long thread according to DIN 228-1
body material :	stainless steel 1.4408
Screw-in bush:	stainless steel 1.4408
ball :	stainless steel 1.4408
ball seal :	PTFE
stem :	stainless steel 1.4401
stem seals :	PTFE
lever :	stainless steel, plastic coated blue with bore for padlock



Face to face dimension acc. to DIN 3202 M3

Connecting thread female/female



Art. Nr.	G"	øDN	øD mm	L mm	l mm	A mm	LH mm	SW	PN bar	weight (g)
9304-02	1/4"	8	12,5	51	10,5	51	103	22	63	0,23
9304-03	3/8"	10	12,5	60	12	51	103	22	63	0,21
9304-04	1/2"	15	15	75	18	53	103	26	63	0,30
9304-05	3/4"	20	20	80	20	65	126	32	63	0,48
9304-06	1"	25	25	90	21	77	144	40	63	0,77
9304-07	1 1/4"	32	32	110	27	81,5	144	48	63	1,14
9304-08	1 1/2"	40	38	120	29	94,5	189	56	63	1,85
9304-09	2"	50	50	140	33	102	189	70	63	2,99