

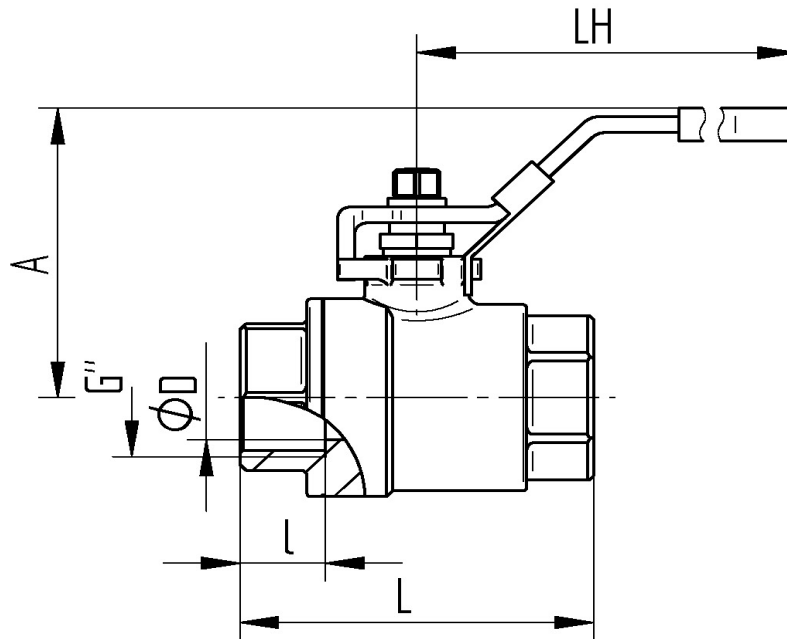
Stainless steel

TECHNICAL DATA

operating temperature:	- 20° C up to + 180 ° C, dependent on pressure
working pressure:	max. PN 63 bar compressed air max. 10 bar
connecting thread:	according to DIN 228-1
body material :	stainless steel 1.4408
Screw-in bush:	stainless steel 1.4408
ball :	stainless steel 1.4408
ball seal :	PTFE
stem :	stainless steel 1.4401
stem seals :	PTFE
lever :	stainless steel, plastic coated blue with bore for padlock $\varnothing 7,5$



Connecting thread female/female



Item No.	G"	DN	$\varnothing D$ mm	Lmm	l mm	A mm	LH mm	SW mm	PN(bar)	weight (g)
9300-02	1/4"	8	11	51,5	10	51	104	22	63	230
9300-03	3/8"	10	12,5	51,5	12	51	104	22	63	215
9300-04	1/2"	15	15	58	14	50	103	25,5	63	259
9300-05	3/4"	20	20	65	14	63	133	31	63	394
9300-06	1"	25	25	77	17	66	133	38,5	63	597
9300-07	1 1/4"	32	32	90	19	80	154	48	63	1036
9300-08	1 1/2"	40	38	98	19	83	154	53,5	63	1353
9300-09	2"	50	50	122	24	97	188	67	63	2120
9300-10	2 1/2"	65	65	159	28	119	223	83,5	63	4842
9300-11	3"	80	76	182	31	129	223	102	63	7730

02/2024