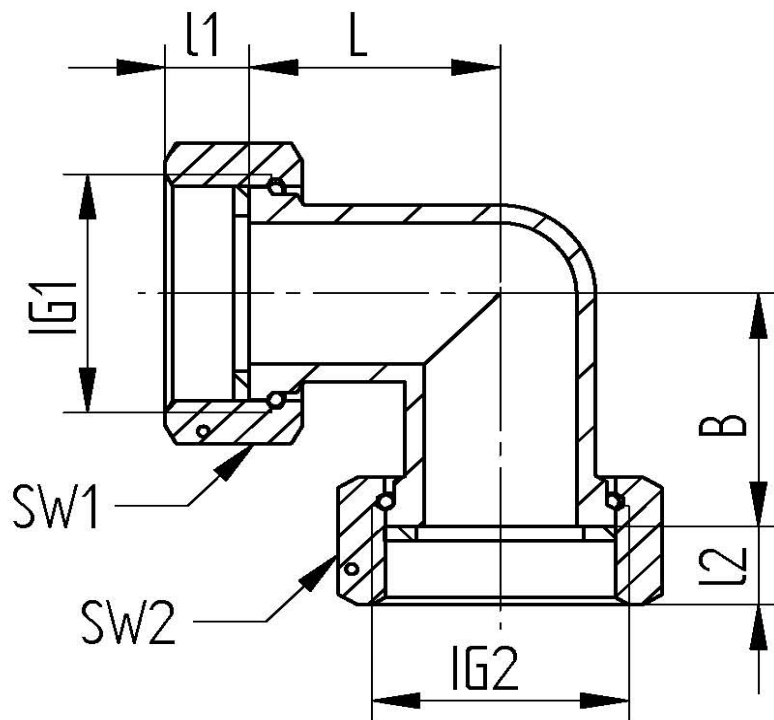


TECHNICAL DATA

temperature range :	-20°C up to max. +150°C
pressure range :	max. PN 16 bar
material :	brass CW614N, nickel-plated
connecting thread :	acc. to DIN ISO 228/1
gasket:	aramid fiber AFM34



Art. Nr.	DN	IG1	IG2	L mm	B mm	l 1 mm	l 2 mm	SW1	SW2	PN(bar)	Gewicht (g)
98708716-66	20	1"	1"	33	33	11,5	11,5	38	38	16	250
98708716-67	20	1"	1 1/4"	34	38	11,5	13	38	46,5	16	316