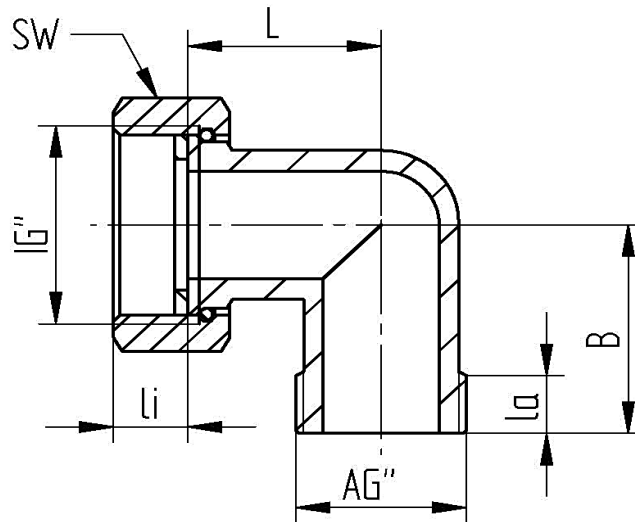


TECHNICAL DATA

temperature range : -20°C up to max. +150°C
 pressure range : max. PN 16 bar
 material : brass CW614N, nickel-plated
 connecting thread : acc. to DIN ISO 228/1
 gasket: aramid fiber AFM34



Art. Nr.	DN	AG"	IG"	L mm	B mm	la mm	li mm	SW	PN(bar)	Gewicht (g)
98708714-55	16	3/4"	3/4"	30	35	10	9,5	32	16	135
98708714-56	18	3/4"	1"	30	35	10,5	11,5	38	16	185
98708714-66	20	1"	1"	30	35	13	11,5	38	16	212
98708714-67	20	1"	1 1/4"	38	36,5	13	11,5	45	16	270