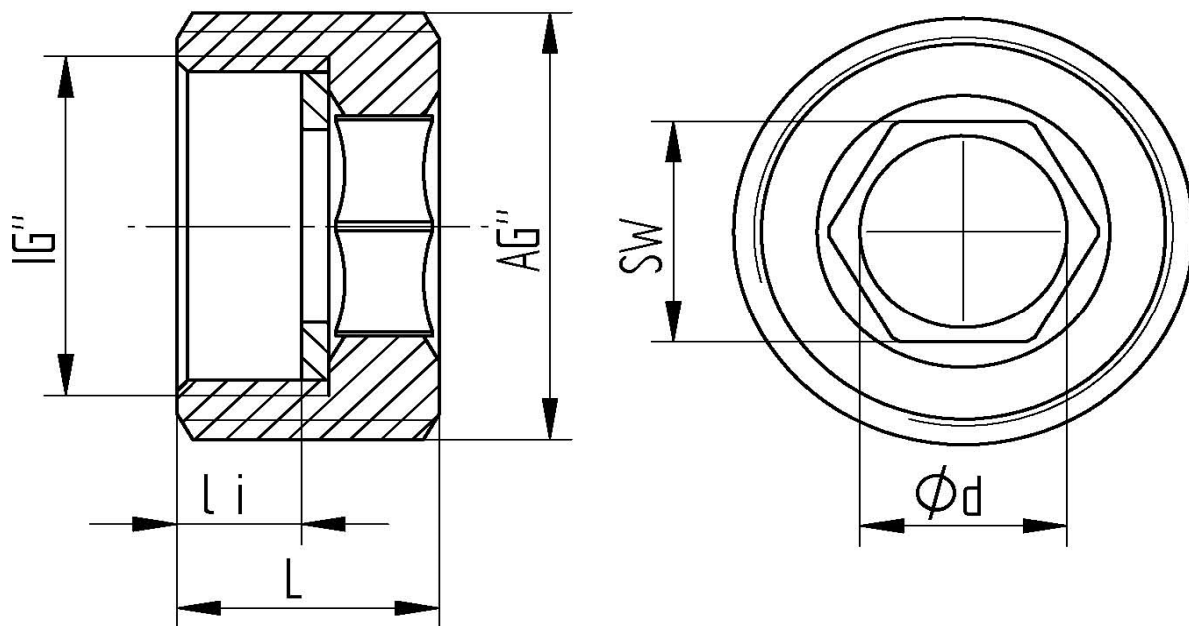
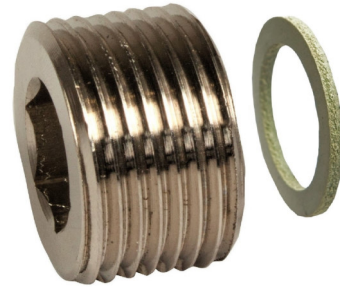


TECHNICAL DATA

temperature range :	-20°C up to max. +150°C
pressure range :	max. PN 16 bar
material :	hot-pressed brass MS 58, chrom plated
connecting thread :	acc. to DIN ISO 228/1
gasket:	aramid fiber AFM34



Art. Nr.	AG''	IG''	ød mm	L mm	li mm	SW mm	PN(bar)	weight (g)
98000728-56	1"	3/4"	15	19	9	17	16	57
98000728-67	1"	1 1/4"	22	20	14	22	16	95