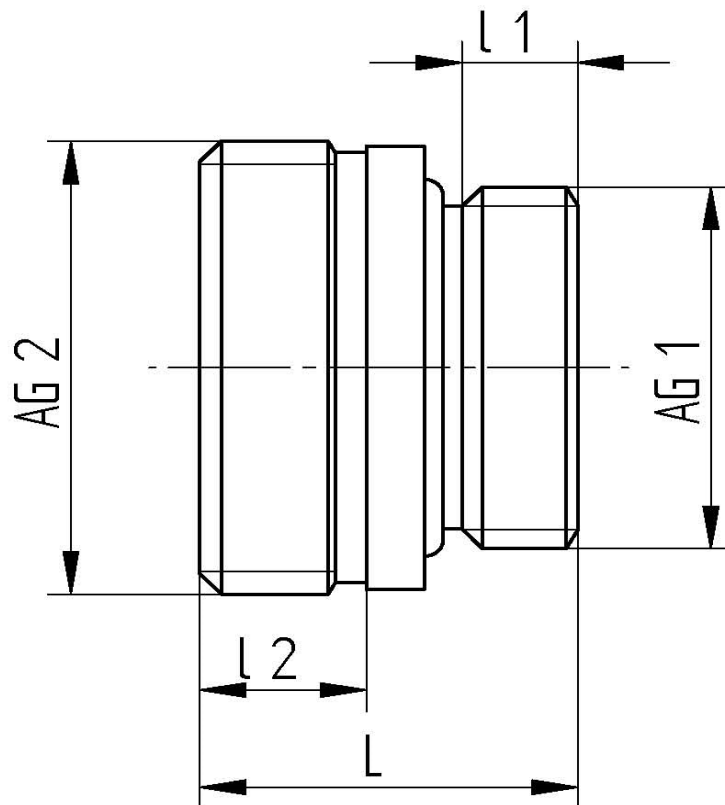


TECHNICAL DATA

temperature range : -20°C up to max. +150°C
 pressure range : max. PN 10 bar
 material : brass CW614N, chrom plated
 connecting thread : acc. to DIN ISO 228/1
 O-Ring: EPDM
 baffle plate: brass CW614N, chrom plated



Art. Nr.	AG1"	AG2"	L mm	l 1 mm	l 2 mm	PN(bar)
98000723-56	3/4"	1"	26	8,5	11,5	10