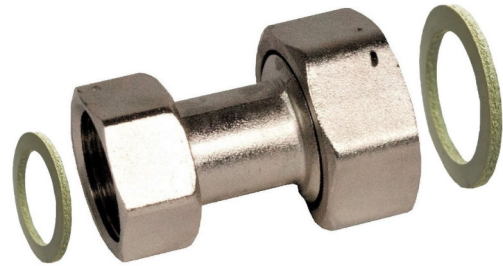
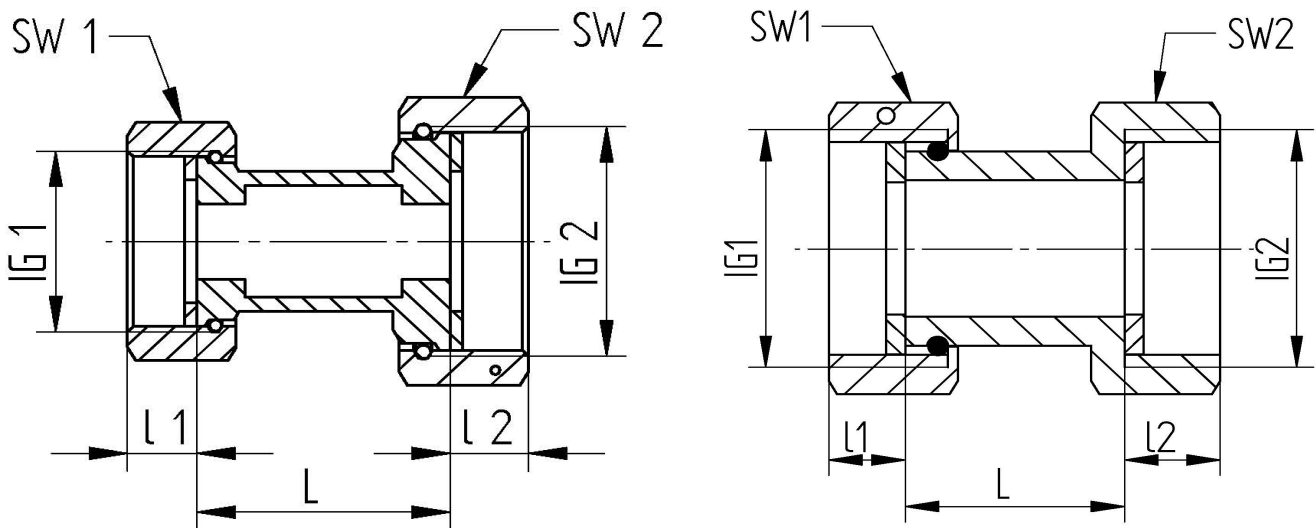


### TECHNICAL DATA

temperature range :	-20°C up to max. +150°C
pressure range :	max. PN 16 bar
material :	brass CW614N, chrom plated
connecting thread :	acc. to DIN ISO 228/1
gasket:	aramid fiber AFM34



**98000729-55**



Art. Nr.	DN	IG 1	IG 2	L mm	l 1 mm	l 2 mm	SW1	SW2	PN(bar)	weight (g)
98000729-55	15	3/4"	3/4"	23	8	10	30	30	16	106
98000729-66	20	1"	1"	37	11,5	11,5	38	38	16	203
98000729-67	20	1"	1 1/4"	42	11,5	13	38	47	16	293
98000729-77	25	1 1/4"	1 1/4"	42	13	13	47	47	16	335