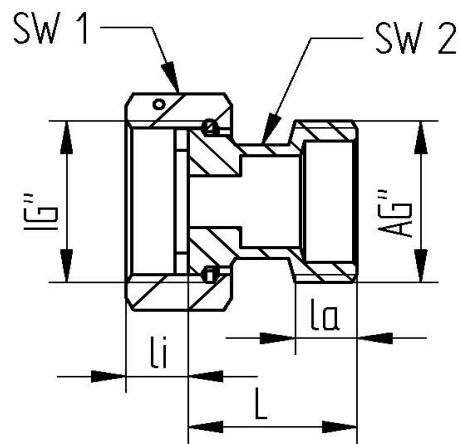
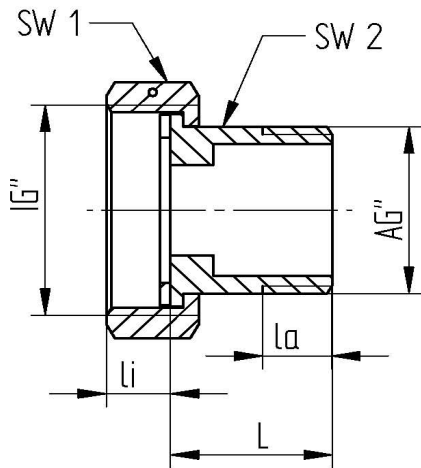
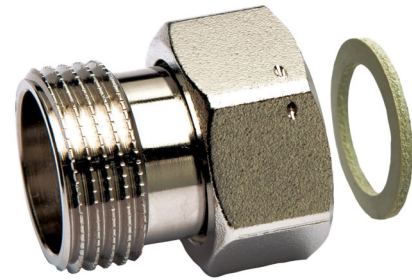


TECHNICAL DATA

temperature range :	-20°C up to max. +150°C
pressure range :	max. PN 16 bar
material :	brass CW617N, chrom plated
connecting thread :	acc. to DIN ISO 228/1
gasket:	aramid fiber AFM34



Art. Nr.	DN	AG"	IG"	L mm	li mm	la mm	SW1	SW2	PN(bar)	weight (g)
98000724-44	15	1/2"	1/2"	25	9	9	26	-	16	64
98000724-45	15	1/2"	3/4"	30	9	13	32	-	16	92
98000724-55	20	3/4"	3/4"	26	9,5	10	32	-	16	94
98000724-56	20	3/4"	1"	30	12	13	38	-	16	120
98000724-66	25	1"	1"	30	11,5	11	38	-	16	140
98000724-67	25	1"	1 1/4"	30	12	13	45	-	16	155
98000724-68	25	1"	1 1/2"	27,5	9	13	51	-	16	162
98000724-69	25	1"	2"	30	12	13	65	-	16	162
98000724-77	32	1 1/4"	1 1/4"	37	13	16	47	-	16	248
98000724-78	32	1 1/4"	1 1/2"	30	13	13	51	-	16	175
98000724-88	40	1 1/2"	1 1/2"	42	14	13	53	34	16	300
98000724-89	40	1 1/2"	2"	38	12	13	65	39	16	300
98000724-99	50	2"	2"	43	14	13	65	43	16	396
98000724-1010	65	2 1/2"	2 1/2"	56,5	16	18	81	58	16	723