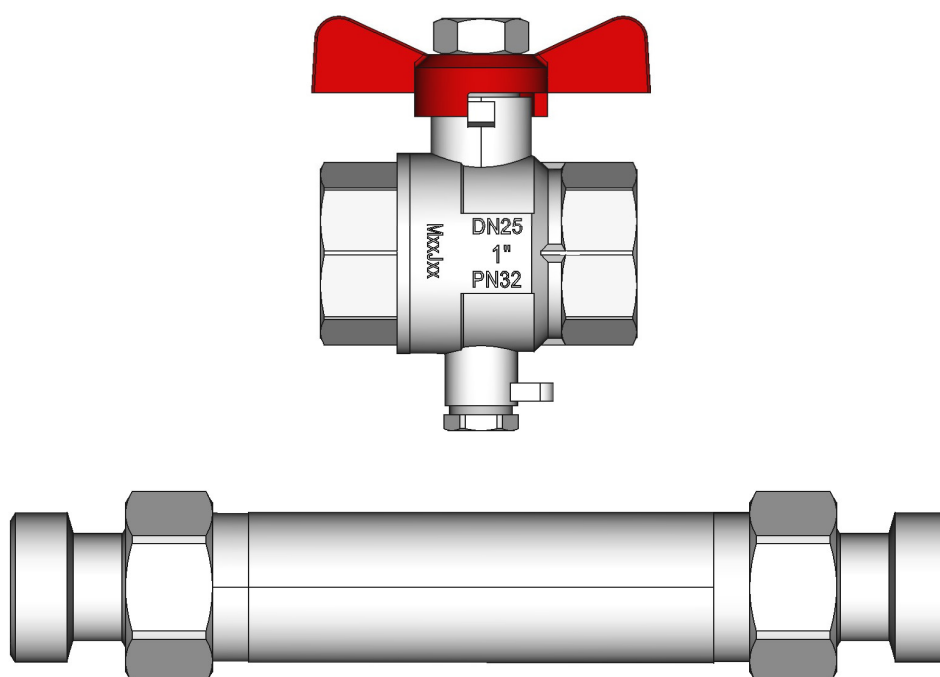


Horizontal mounting heat meter instalation sets, consisting of:

- 2 x WESA Art.-Nr. **98000724** or **98000725** (screw connection)
- 1 x WESA Art.-No. **7126** (Ball valve with Immersion Sensor Connection)
- 1 x WESA Art.-No. **98708712** (Pipe nipple steel galvanized)

NOTE: Pipe nipple not suitable for continuous use!



Heat meter instalation set are available in the following sizes:

Art.No.	2 x 98000725	2 x 98000724	1 x 7126	1 x 98708712	PN
80180002	98000725-45 (1/2"x3/4")	-	7126-04R (1/2")	98708712-55-110 (3/4")	10
80180004	-	98000724-45 (1/2"x3/4")	7126-04R (1/2")	98708712-55-110 (3/4")	10
80180005	-	98000724-55 (3/4"x3/4")	7126-05R (3/4")	98708712-55-110 (3/4")	10
80180006	-	98000724-56 (3/4"x1")	7126-05R (3/4")	98708712-66-130 (1")	10
80180007	-	98000724-66 (1"x1")	7126-06R (1")	98708712-66-130 (1")	10

Other sizes on request.

Detailed information of the individual articles can be found in the respective product data sheets.