

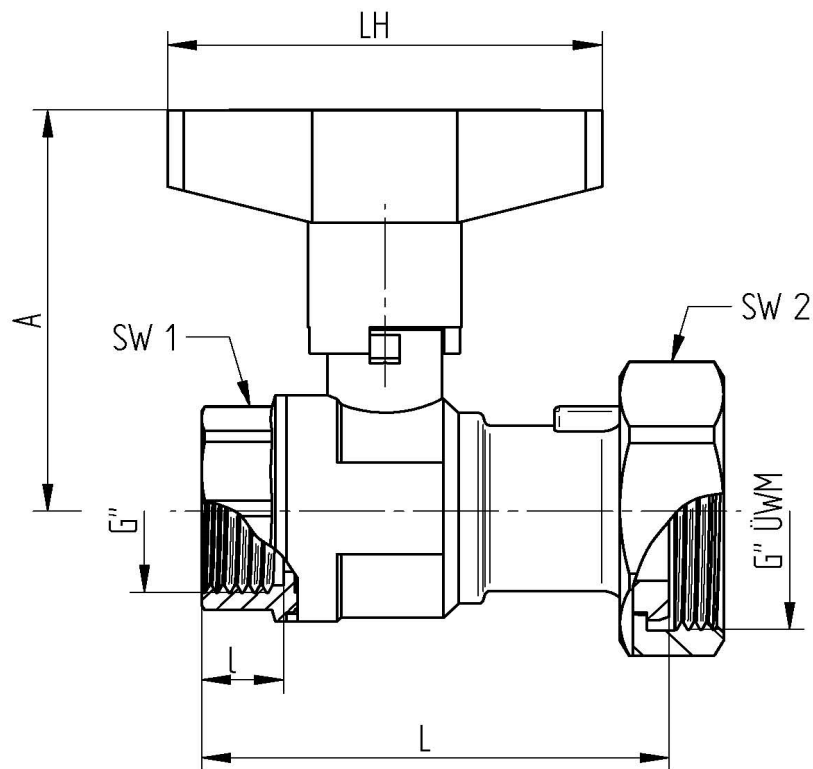
### Brass

#### TECHNICAL DATA

temperature range:	- 10°C up to max. + 100°C, pressure-dependent
pressure range :	max. PN 20 bar, depending on temperature
connecting:	female thread according to DIN ISO 228/1 / Flange
body material:	CW614N, nickel plated
threaded ends:	CW614N, nickel plated
ball:	CW614N, hard chromed
ball seals:	PTFE
stem:	CW614N, nickel plated
stem seals:	PTFE , O-Ring FKM with packing gland
handle:	Nylon T-lever, black
gravity break:	nylon + glass fiber, O-ring FKM
special screw connection:	CW617N
seal:	AFM34 with DVGW-drinking water approval



- 1083** without gravity break
- 1088** with gravity break



Art.Nr.	G" x G"ÜWM	DN	L mm	l mm	A mm	LH mm	SW1	SW2	PN bar	weight (g)
1083	1 1/4 "x 2"	32	96	16	85	120	46	64	20	815
1088	1 1/4 "x 2"	32	96	16	85	120	46	64	20	840