

## Brass

### TECHNICAL DATA

temperature range:	- 20°C up to max. + 150°C, pressure-dependent
pressure range :	max. PN 40 bar, depending on nominal size and temperature
connecting thread:	according to DIN EN ISO 228-1
body material:	Brass CW617N nickel plated
threaded ends:	Brass CW617N nickel plated
swivel end:	union nut, with drilled hole for sealing
ball:	Brass CW614N chromium plated
ball seals:	PTFE
stem:	Brass CW617N nickel plated
stem seals:	PTFE , O-Ring FKM with packing gland

### Set consists of:

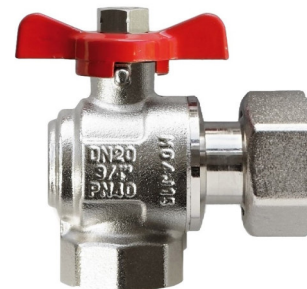
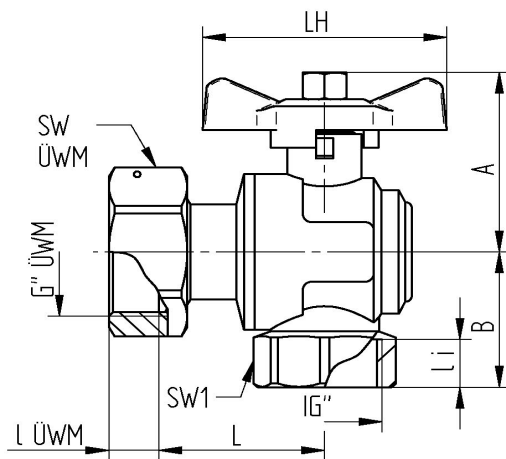
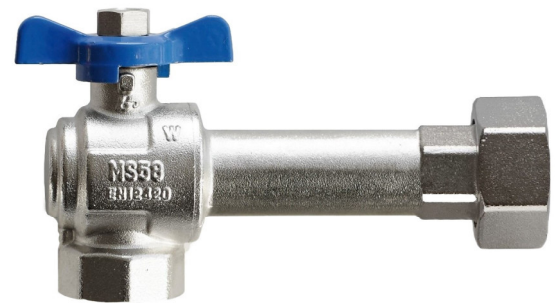
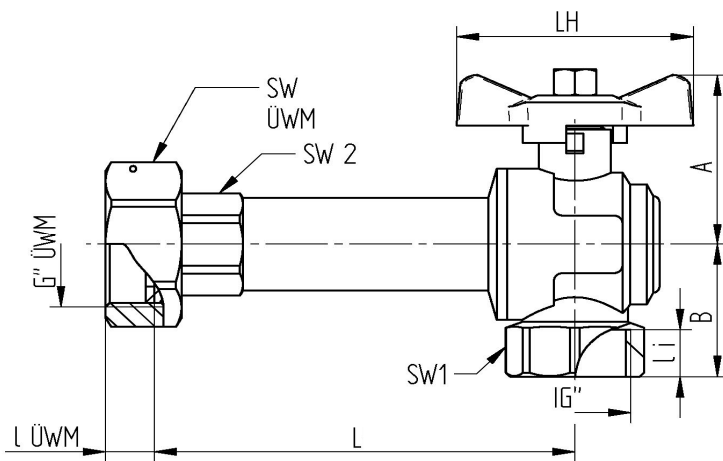
#### 74674615:

- 1 x 746-56B100 Butterfly handle, aluminium **blue** painted
- 1 x 746-56R38 Butterfly handle, aluminium **red** painted

#### 74674614:

- 1 x 746-66B120 Butterfly handle, aluminium **blue** painted
- 1 x 746-66R42 Butterfly handle, aluminium **red** painted

## Vertical mounting



Art. Nr.	IG"	ÜWM"	øDN	A mm	B mm	L mm	I mm	I ÜWM	LH mm	SW1	SW2	SW ÜWM	PN bar	weight (g)
746-56R38	3/4"	1"	18	45,5	34	38	12	11,5	56	31	-	38	40	403
746-56B100	3/4"	1"	18	45,5	34	100	12	11,5	56	31	24	38	40	513
746-66R42	1"	1"	20	51	39	42	14	11,5	72	38	-	38	32	505
746-66B120	1"	1"	20	51	39	120	14	11,5	72	38	25	38	32	637