

Brass

TECHNICAL DATA

temperature range:	- 20°C up to max. + 150°C, pressure-dependent
pressure range :	max. PN 40 bar, depending on nominal size and temperature
connecting thread:	according to DIN EN ISO 228-1
body material:	Brass CW617N nickel plated
threaded ends:	Brass CW617N nickel plated
ball:	Brass CW614N chromium plated
ball seals:	PTFE
stem:	Brass CW617N nickel plated
stem seals:	PTFE , O-Ring FKM with packing gland
butterfly handle:	Aluminium painted

Set consists of:

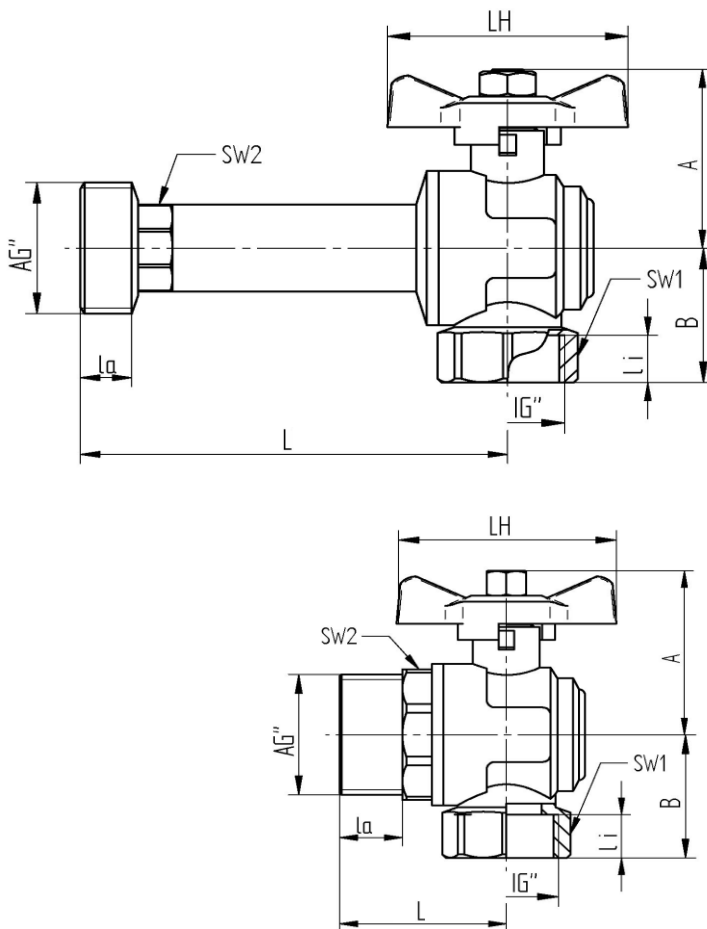
74574516:

- 1 x 745-56B100 Butterfly handle, aluminium **blue** painted
- 1 x 745-56R43 Butterfly handle, aluminium **red** painted

74574517:

- 1 x 745-66B110 Butterfly handle, aluminium **blue** painted
- 1 x 745-66R46 Butterfly handle, aluminium **red** painted

Vertical mounting



Art. Nr.	IG"	AG"	DN	L mm	li mm	la mm	A mm	B mm	LH mm	SW1	SW2	PN (bar)	weight (g)
745-56R43	3/4"	1"	18	43	12	16	45,5	34	56	31	36	40	381
745-56B100	3/4"	1"	18	100	12	12	45,5	34	56	31	24	40	450
745-66R46	1"	1"	20	46	14	16	51	40	72	38	36	32	489
745-66B110	1"	1"	20	110	14	12	51	40	72	38	26	32	605