

Brass

TECHNICAL DATA

temperature range:	- 20°C up to max. + 150°C, pressure-dependent
pressure range :	max. PN 40 bar, depending on nominal size and temperature
connecting thread:	according to DIN ISO 228/1
body material:	Brass CW617N nickel plated
threaded ends:	Brass CW617N nickel plated
swivel end:	union nut, with drilled hole for sealing
ball:	Brass CW614N chromium plated
ball seals:	PTFE
stem:	Brass CW614N nickel plated
stem seals:	PTFE , O-Ring FKM with packing gland

Set consists of:

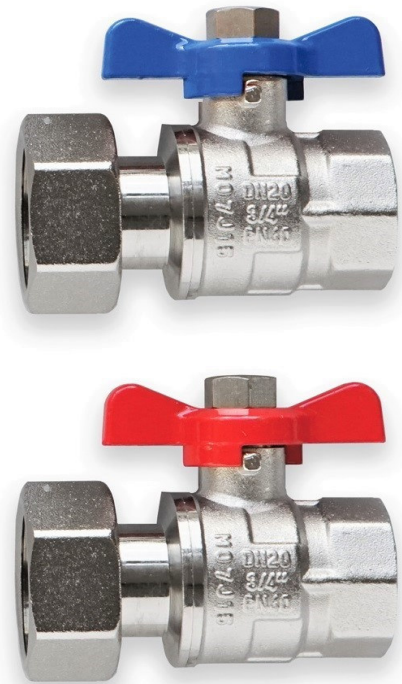
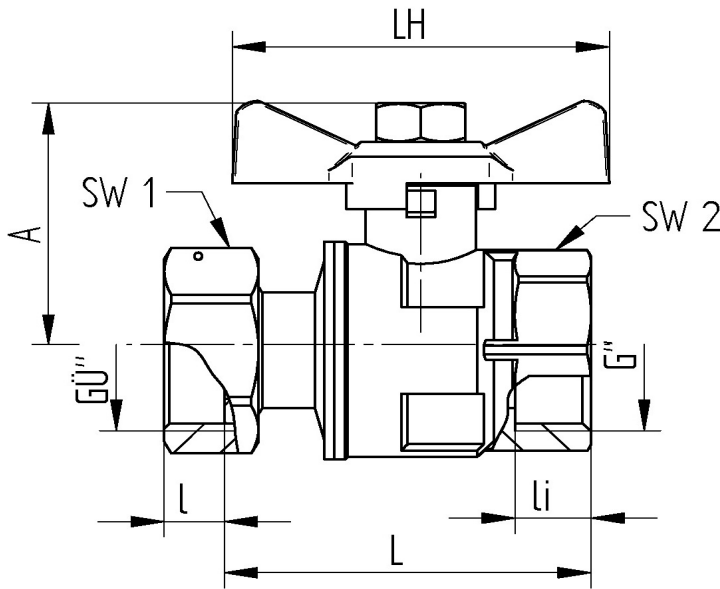
70870812:

- 1 x 708-56B Butterfly handle, aluminium **blue** painted
- 1 x 708-56R Butterfly handle, aluminium **red** painted

70870810:

- 1 x 708-66B Butterfly handle, aluminium **blue** painted
- 1 x 708-66R Butterfly handle, aluminium **red** painted

horizontal mounting



Art. Nr.	G"	GÜ"	ød	L mm	l mm	li mm	A mm	LH mm	SW1 mm	SW2 mm	PN bar	weight (g)
708-55	3/4"	3/4"	19	61	9	11	43	56	30	32	40	304
708-56	3/4"	1"	19	61,5	11,5	11	43	56	37,8	32	40	325