

## Brass

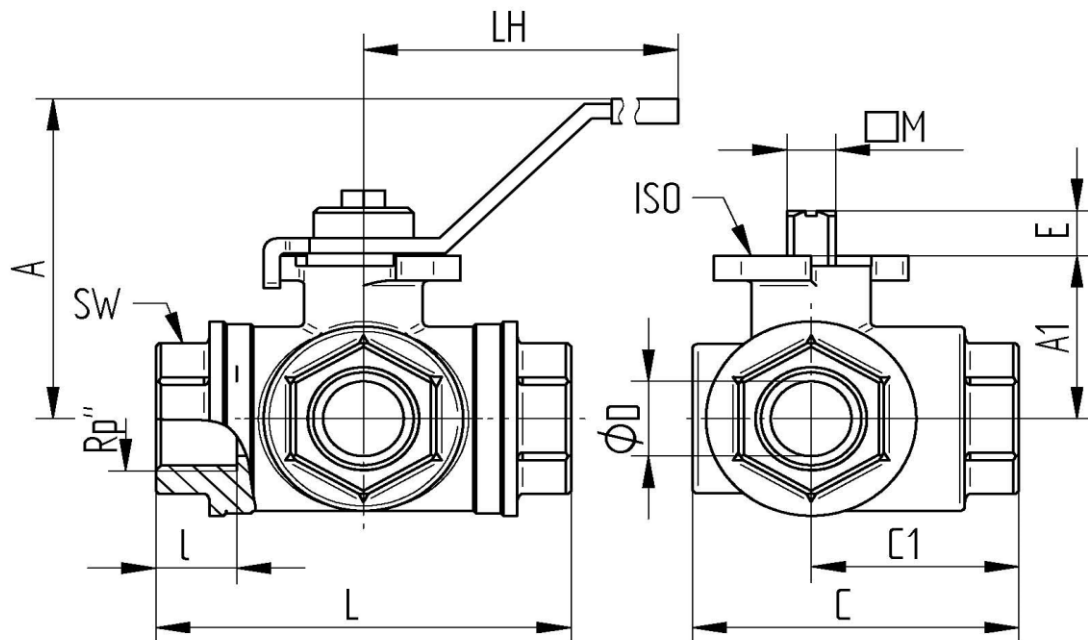
### TECHNICAL DATA

Working temperature:	from -20°C to max. + 160°C, pressure dependent
Working pressure :	max. PN 30 bar, depending on nominal diameter
Connection:	female threaded, acc. DIN 2999 - ISO 7/1
Actuarmounting:	acc. ISO 5211
Body material :	hot-pressed brass nickel-plated CW 617 N
Female connection:	brass nickel-plated
Ball:	brass chromium plated CW 614 N
Ball sealing:	PTFE
Stem:	brass CW 614 N, blow out proofed
Stem sealings:	PTFE / FKM



<b>837:</b>	<b>T - port</b>
<b>838:</b>	<b>L - port</b>

### Connecting thread female



Art.Nr.	Rp"	DN	A mm	A1 mm	I mm	LH mm	ØD mm	L mm	C mm	C1 mm	E mm	SW mm	M mm	øISO	PN bar
837/838-03	3/8"	10	62	30	15	115	11	67	53	33,5	9	22	9	F 03	30
837/838-04	1/2"	15	64	32,5	16	115	14	78	61	39	9	27	9	F 03	30
837/838-05	3/4"	20	81	41	16	130	19	87	70	43,5	11	32	11	F 05	30
837/838-06	1"	25	89,5	49	22	130	25	105	82,5	52,5	11	42	11	F 05	16
837/838-07	1 1/4"	32	100	59,5	27	130	32	122,5	97	61	11	50	11	F 05	10
837/838-08	1 1/2"	40	107	73,5	30	233	40	140	114	70	16	55	14	F 07	10
837/838-09	2"	50	119	85,5	30	233	50	168	140	85	16	70	14	F 07	10

Rp"	3/8"	1/2"	3/4"	1"	1 1/4"	1 1/2"	2"
weight (g)	520	650	1100	1830	2750	4570	8370