

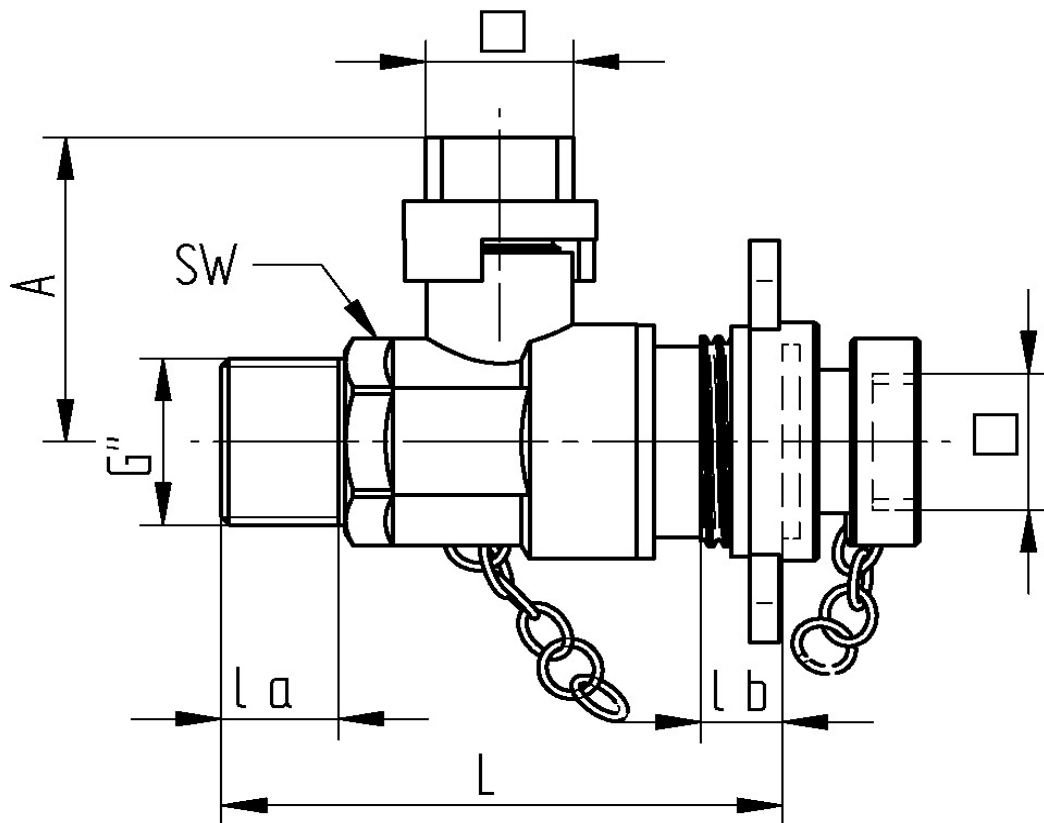
Brass

TECHNICAL DATA

temperature range :	up to max. + 180°C, pressure-dependent short time up to 220°C (30 min.)
pressure range :	max. PN 32 bar, temperature-dependent
connecting thread:	according to DIN EN ISO 228-1
body material :	brass CW617N, nickel plated
ball :	brass CW614N, chromed
stem :	brass CW614N
ball seat:	PTFE
stem packing:	Graphit + O-Ring FKM/FPM with packing gland
lever:	Square key cap CW617N



cap 3/4"



Art. Nr.	G"	L mm	la mm	lb mm	A mm	SW	<input type="checkbox"/>	PN bar	weight (g)
1534-04	1/2"	65,5	14,5	9,5	38	23	<input type="checkbox"/>	32	270