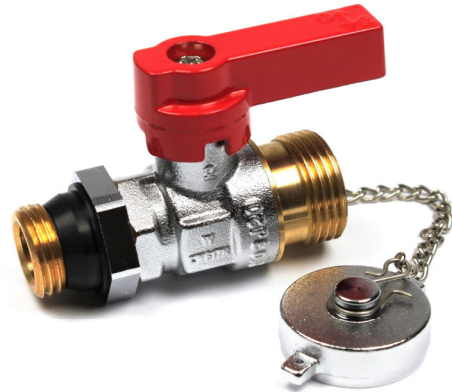


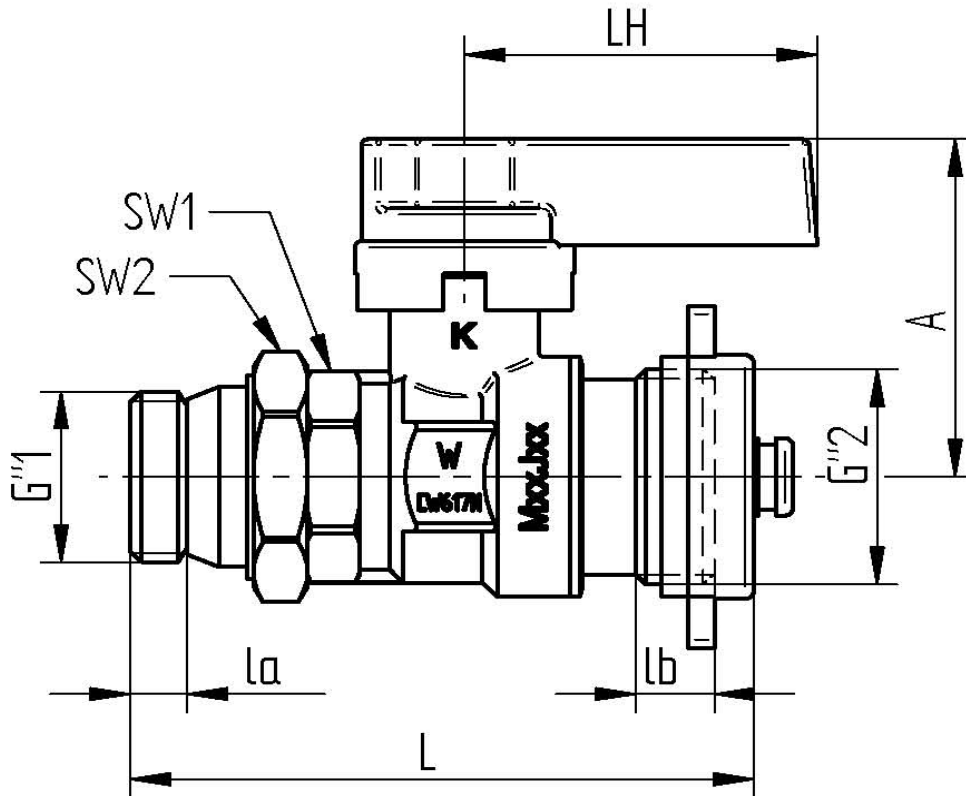
Brass

TECHNICAL DATA

temperature range :	up to max. + 180°C, pressure-dependent
pressure range :	max. PN 32 bar
connecting thread:	according to DIN EN ISO 228-1
body material :	brass CW617N, nickel plated
ball :	brass CW614N, chromed
stem :	brass CW614N
ball seat:	PTFE
stem packing:	Graphit + O-Ring FKM/FPM with packing gland
Wedge sealing:	FKM
lever:	aluminium red painted



cap 3/4"



Art. Nr.	G"1	G"2	L mm	la mm	lb mm	A mm	LH mm	SW1	SW1	PN bar	weight (g)
1538-45	1/2"	3/4"	71	6,5	9	41,5	40	23	27	32	242