

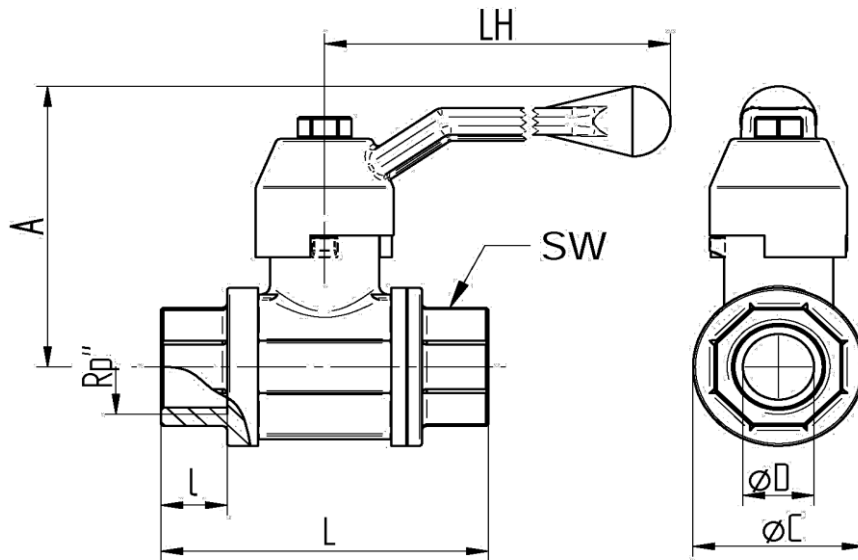
## Brass

### TECHNICAL DATA

Operating temperature liquids:	- 20°C up to max. + 130°C, pressure dependend
Working pressure liquids:	max. PN 100 bar
Operating temperature gas:	- 20°C up to max. + 60°C, pressure dependend
Working pressure gas:	max. MOP 5 compressed air max. 20 bar
Vacuum-tight:	0,01 mbar
Connection thread:	Female thread to DIN 2999
Body material :	CW 617 N, nickel plated
Ball :	CW 617 N, chromed
Ball seals :	PTFE
Stem :	CW 617 N
Stem seals :	PTFE
lever:	aluminium, red coated
<b>Approval:</b>	<input type="checkbox"/> DIN-DVGW-Gas nach DIN EN 331 <input type="checkbox"/> EAC nach TR CU 010/2011
<b>On request:</b>	<input type="checkbox"/> ATEX nach 2014/34/EU



### Connecting thread female/female



Item No.	Rp"	øDN	L mm	l mm	A mm	LH mm	øC mm	SW mm	PN(bar)	Weight (kg)
850-02	1/4"	8	51	12	52	75	23	18	100	0,150
850-03	3/8"	10	55	12	61	100	29	22	100	0,240
850-04	1/2"	15	69	14	64	100	36	27	100	0,364
850-05	3/4"	20	77	16	76	120	45	33	100	0,615
850-06	1"	25	89	19	80	120	54	40	100	0,875
850-07	1 1/4"	32	103	22	98	150	65	50	100	1,520
850-08	1 1/2"	40	114	22	104	150	79	55	100	2,215
850-09	2"	50	134	26	119	175	96	69	80	3,613