

## Brass

### TECHNICAL DATA

Operating temperature liquids:	- 20°C up to max. + 130°C, pressure dependend
Working pressure liquids:	max. PN 100 bar
Operating temperature gas:	- 20°C up to max. + 60°C, pressure dependend
Working pressure:	max. MOP 5 for gas compressed air max. 20 bar
Connection thread:	Female thread acc.to DIN EN 10226-1
Body material :	Brass, CW 617 N, nickel plated
Ball :	Brass, CW 617 N, chromed
Ball seals :	PTFE
Stem :	Brass, CW 617 N
Stem seals :	4x PTFE with packing gland
lever:	aluminium, red painted

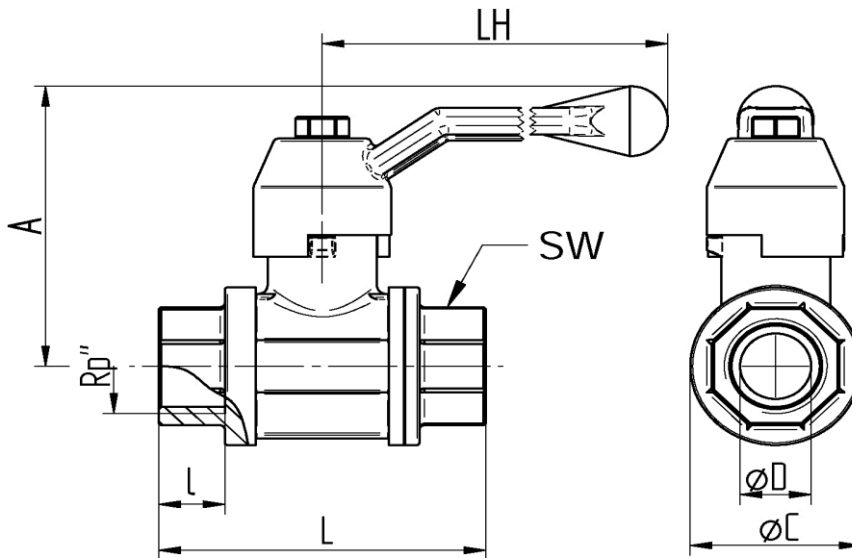


<b>Approval</b>	<input type="checkbox"/> DIN-DVGW-Gas acc.to DIN EN 331
	<input type="checkbox"/> EAC acc.to TR CU 010/2011
<b>Option</b>	<input type="checkbox"/> ATEX acc.tp 2014/34/EU



Option

### Connecting thread female/female



Item No.	Rp"	øDN	L mm	I mm	A mm	LH mm	øC mm	SW mm	PN(bar)	Weight (Kg)
824-02	1/4"	8	51	12	52	75	23	18	100	0,15
824-03	3/8"	10	55	12	61	100	29	22	100	0,24
824-04	1/2"	15	69	14	64	100	36	27	100	0,36
824-05	3/4"	20	77	16	76	120	45	33	100	0,62
824-06	1"	25	89	19	80	120	54	40	100	0,88
824-07	1 1/4"	32	103	22	98	150	65	50	100	1,52
824-08	1 1/2"	40	114	22	104	150	79	55	100	2,22
824-09	2"	50	134	26	119	175	96	69	80	3,61
824-10	2 1/2"	65	160	29	155	280	119	86	40	5,79
824-11	3"	80	185	32	167	280	144	100	40	8,81

