

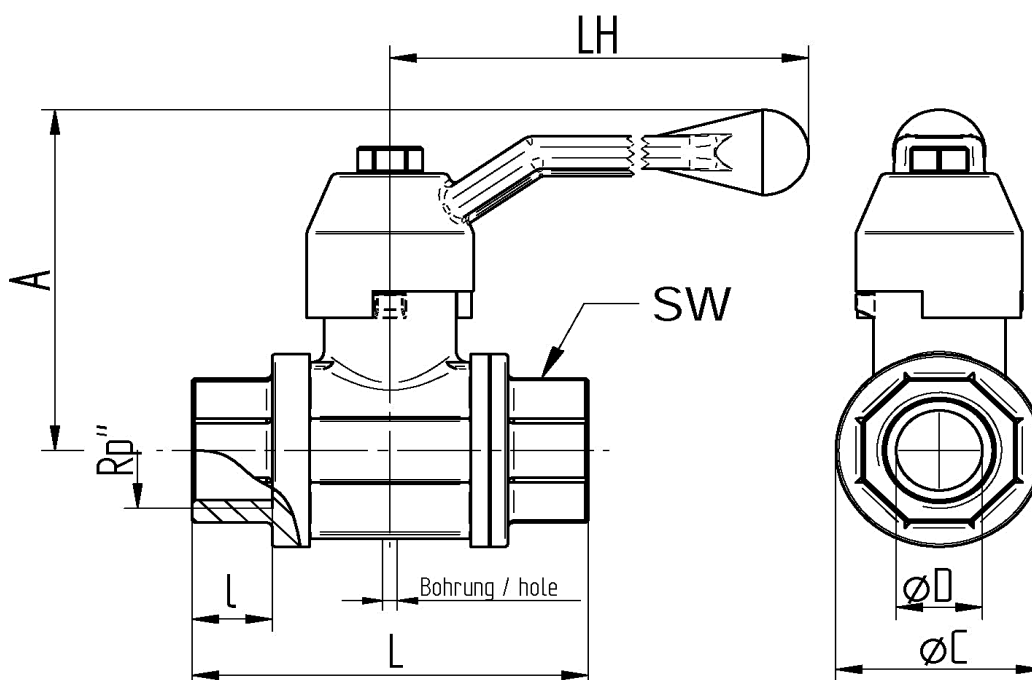
Brass

TECHNICAL DATA

Operating temperature :	0°C up to +60°C for air, pressure dependent
Working pressure :	max. PN 12 bar for air
Connection thread:	Female-thread acc.to DIN EN 10226-1
Body material:	Brass, CW 617 N, nickel plated
Ball:	Brass, CW 617 N, chromed
Ball seals :	PTFE
Stem:	Brass, CW 617 N
Stem seals:	4-fold cone shaped PTFE with packing gland
Handle lever:	aluminium, black coated



Connecting thread female/female



Item No.	Rp"	øDN	L mm	l mm	A mm	LH mm	øC mm	SW mm	PN(bar)	weight (g)
828-02S	1/4"	8	52	14	61	100	29	22	12	252
828-03S	3/8"	10	55	14	61	100	29	22	12	247
828-04S	1/2"	15	69	17	64	100	36	27	12	368
828-05S	3/4"	20	77	19	76	120	45	33	12	620
828-06S	1"	25	89	22	80	120	54	40	12	870
828-07S	1 1/4"	32	103	24	98	150	65	49	12	1495
828-08S	1 1/2"	40	114	25	104	150	79	55	12	2172
828-09S	2"	50	134	26	119	175	96	69	12	