

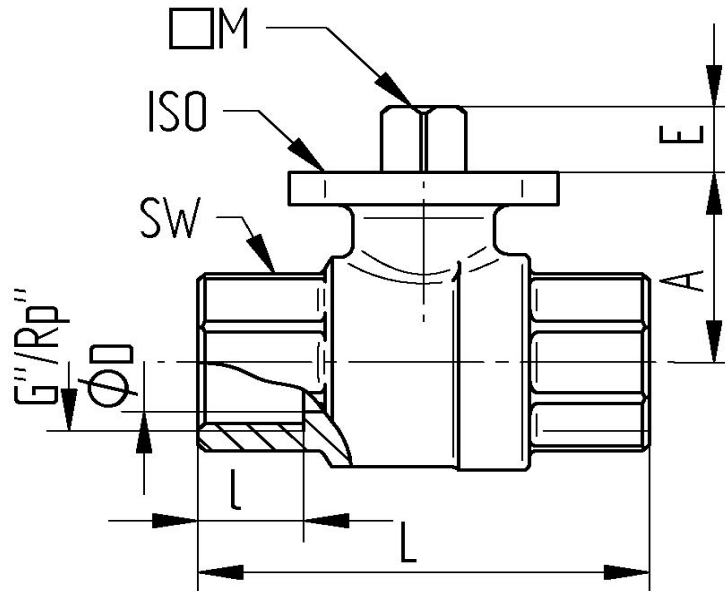
Brass

TECHNICAL DATA BALL VALVE

| | |
|-----------------------|--|
| temperature range : | - 20°C up to max. + 120°C, pressure dependent |
| pressure range : | max. PN 40 bar |
| connecting thread : | acc. to DIN EN ISO 228-1 (1/4" - 3") acc. to DIN EN 10226-1 (4") |
| actuator connection : | according to DIN EN ISO 5211 |
| body material | CW 617 N, nickel plated |
| ball : | CW 617 N, chrome plated |
| ball seals : | PTFE / FKM |
| stem : | CW 614 N |
| stem seals : | PTFE / FKM |



Connecting thread female/female



| Art. Nr. | G"(Rp") | DN | øD | L mm | l mm | A mm | SW mm | E mm | M mm | øISO | PN bar | Gewicht (g) |
|----------|----------|-----|------|------|------|-------|-------|------|------|-------------|--------|-------------|
| 767-02 | G 1/4" | 8 | 11,5 | 64 | 17 | 29 | 26 | 10 | 9 | F 03 | 40 | 335 |
| 767-03 | G 3/8" | 10 | 15 | 64 | 17 | 29 | 26 | 10 | 9 | F 03 | 40 | 315 |
| 767-04 | G 1/2" | 15 | 15 | 64 | 17 | 29 | 26 | 10 | 9 | F 03 | 40 | 280 |
| 767-05 | G 3/4" | 20 | 20 | 76 | 19 | 32 | 32 | 10 | 9 | F 03 | 40 | 410 |
| 767-06 | G 1" | 25 | 25 | 88 | 21 | 36 | 40 | 10 | 9 | F 03 / F 05 | 40 | 705 |
| 767-07 | G 1 1/4" | 32 | 32 | 96 | 22 | 41 | 50 | 10 | 9 | F 03 / F 05 | 32 | 950 |
| 767-08 | G 1 1/2" | 40 | 38 | 103 | 22 | 57 | 54 | 12 | 11 | F 03 / F 05 | 30 | 1160 |
| 767-09 | G 2" | 50 | 45 | 121 | 25 | 64 | 70 | 12 | 11 | F 03 / F 05 | 30 | 2055 |
| 767-10 | G 2 1/2" | 65 | 62 | 165 | 34 | 90 | 85 | 16 | 14 | F 07 | 30 | 3850 |
| 767-11 | G 3" | 80 | 76 | 188 | 37 | 100 | 100 | 16 | 14 | F 07 | 25 | 5515 |
| 767-12 | Rp 4" | 100 | 100 | 225 | 39 | 116,5 | 130 | 17,5 | 17 | F 07 | 16 | 10250 |