

Brass

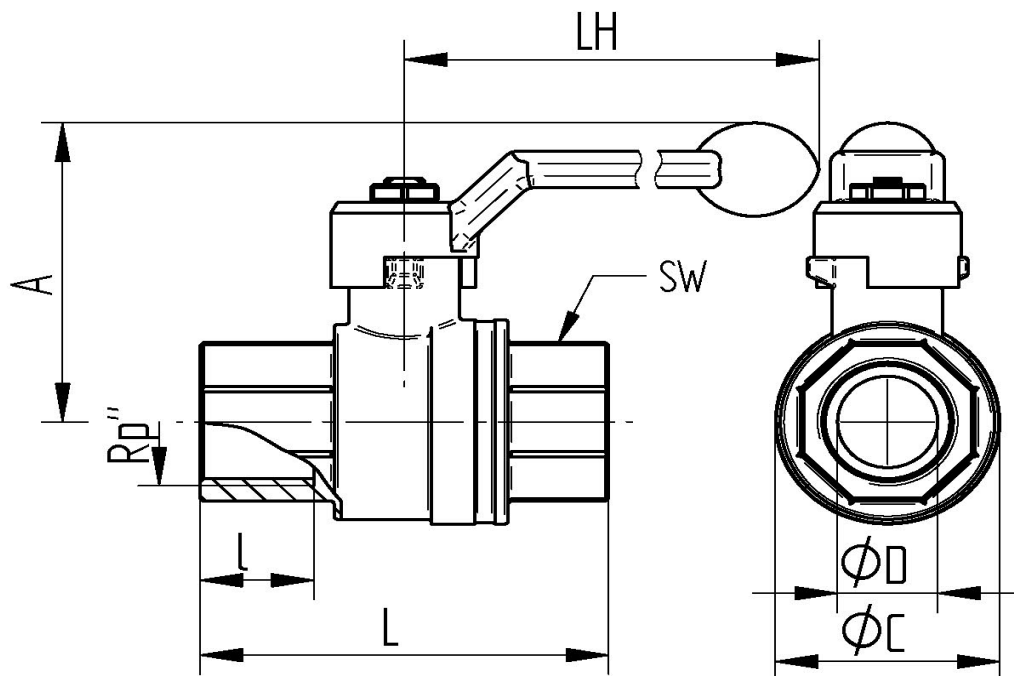
TECHNICAL DATA

temperature range liquids:	- 15°C up to max. + 120°C, pressure-dependent
temperature range gas :	- 20°C up to max. + 60°C, pressure-dependent
pressure range liquids:	max. PN 63 bar
pressure range gas:	MOP 5
	compressed air max. 20 bar
connecting thread	DIN 2999 - ISO 7/1 Rp
body material :	CW 617 N, nickel plated
ball :	CW 617 N, chromed
ball seals :	PTFE
stem:	CW 617N - EN 12164, blow-out safe
stem seals :	PTFE / NBR
handle:	aluminium, black painted

Approval: DIN-DVGW-gas, EN 331
to German Institute for Standardization EN 331



Connecting thread female/female



Art.Nr.	Rp"	øD	L mm	l mm	A mm	LH mm	øC mm	SW mm	PN bar	weight (gr)
890-02	1/4"	10	46	11	42	85	24	18	63	112
890-03	3/8"	10	50	12	42	85	24	21	63	130
890-04	1/2"	15	61	14	49	85	32	26	63	206
890-05	3/4"	20	70	16	57	105	40	32	63	350
890-06	1"	25	84	19	61	105	48	40	63	576
890-07	1 1/4"	32	96	22	70	130	57,5	49	50	982
890-08	1 1/2"	40	106,5	23	76	130	70	55	50	1400
890-09	2"	50	127,5	25	92	165	85,5	68	40	2415