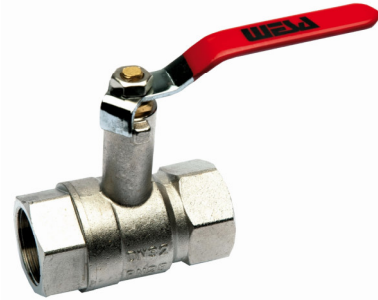


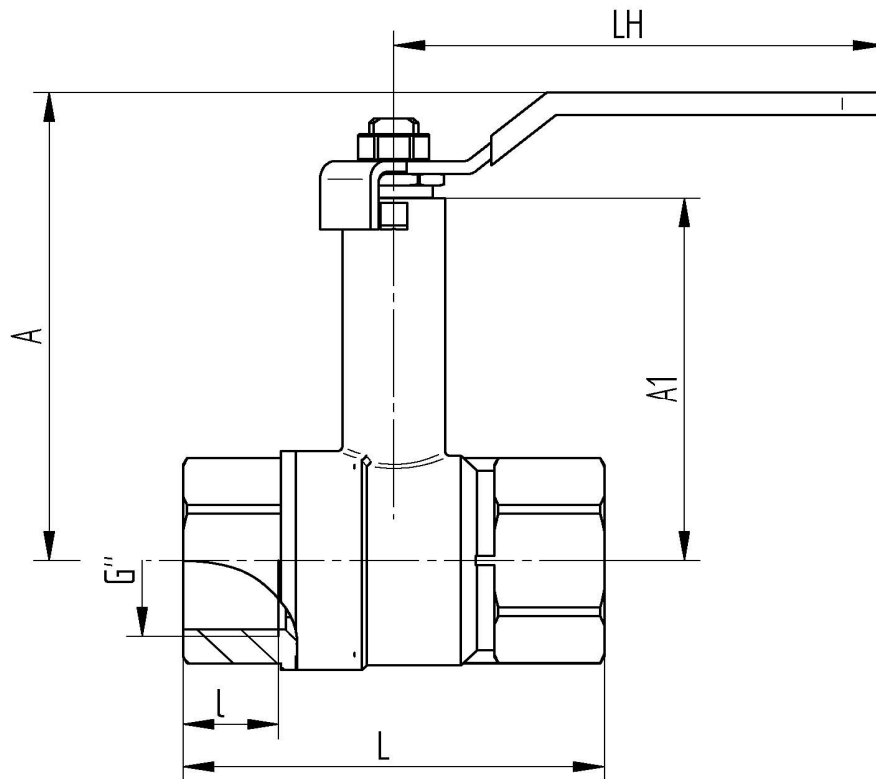
Brass

TECHNICAL DATA

temperature range:	- 20°C up to max. + 150°C, pressure-dependent
pressure range :	max. PN 40 bar, depending on nominal size and temperature
connecting thread:	according to DIN EN ISO 228-1
body material:	Brass CW617N nickel plated
threaded ends:	Brass CW617N nickel plated
ball:	Brass CW614N chromium plated
ball seals:	PTFE
stem:	Brass CW617N nickel plated
stem seals:	PTFE , O-Ring FKM with packing gland
handle:	steel, red plastic coated



Connecting thread female / male



Art.Nr.	G"	DN	L mm	A mm	A1 mm	l mm	LH mm	SW mm	PN	Gewicht (g)
758-04	1/2"	15	61	87	66	16	91	26	40	335
758-05	3/4"	20	70	95	74	17	90	32	32	468
758-06	1"	25	86	103	80	21	100	40	32	775
758-07	1 1/4"	32	98	111	84	24	130	50	25	1100
758-08	1 1/2"	40	108	119	92	24	130	55	20	1415
758-09	2"	50	130	137	100	29	154	68	16	2200