

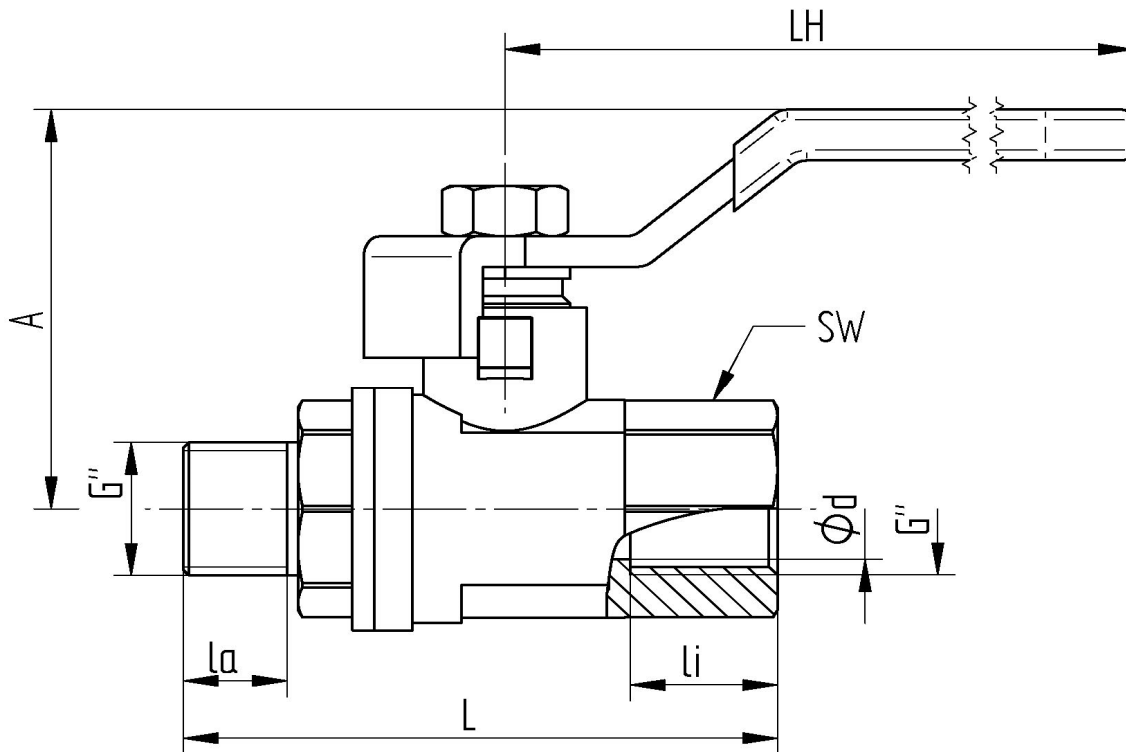
## Brass - long thread version

### TECHNICAL DATA

temperature range:	- 20°C up to max. + 150°C, pressure-dependent
pressure range :	max. PN 40 bar, depending on nominal size and temperature
connecting thread:	long thread, according to DIN EN ISO 228-1
body material:	Brass CW617N nickel plated
threaded ends:	Brass CW617N nickel plated
ball:	Brass CW614N chromium plated
ball seals:	PTFE
stem:	Brass CW617N nickel plated
stem seals:	PTFE , O-Ring FKM with packing gland
handle:	steel, red plastic coated



### Connecting thread female / male



Art.Nr.	G"	DN	ød mm	L mm	li mm	la mm	A mm	LH mm	SW mm	PN	weight (g)
757-04	1/2"	15	14,5	68	18	16,5	50	94	26	40	244
757-05	3/4"	20	19	74	19,5	17,5	54	94	32	32	335
757-06	1"	25	24	90	24	20	59	100	40	32	566