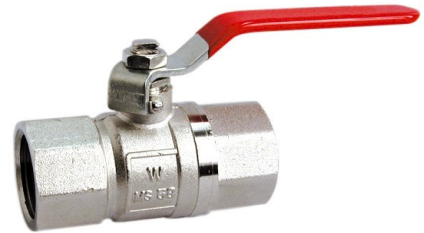


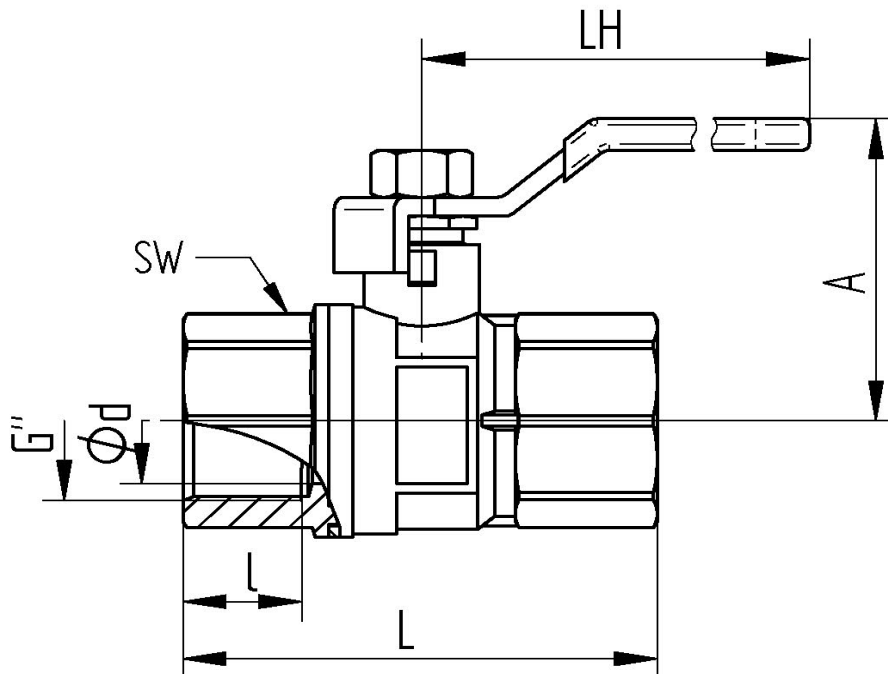
Brass - long thread version

TECHNICAL DATA

temperature range:	- 20°C up to max. + 150°C, pressure-dependent
pressure range :	max. PN 40 bar, depending on nominal size and temperature
connecting thread:	long thread, according to DIN EN ISO 228-1
body material:	Brass CW617N nickel plated
threaded ends:	Brass CW617N nickel plated
ball:	Brass CW614N chromium plated
ball seals:	PTFE
stem:	Brass CW617N nickel plated
stem seals:	PTFE , O-Ring FKM with packing gland
handle:	756 -steel, red plastic coated 756ER -stainless steel, red plastic coated



Connecting thread female/female



Art.Nr.	G"	DN	ød mm	L mm	l mm	A mm	LH mm	SW mm	PN	weight (g)
756/756ER-02	1/4"	8	10	50	14	40	91	20	40	139
756/756ER-03	3/8"	10	10	50	14	40	91	20	40	125
756/756ER-04	1/2"	15	14	61	18	45	91	26	40	206
756/756ER-05	3/4"	20	19	70	19	49	91	32	32	300
756/756ER-06	1"	25	24	84	22	56	100	40	32	500
756/756ER-07	1 1/4"	32	32	98	22	68	130	50	25	878
756/756ER-08	1 1/2"	40	38	108	25	73	130	55	25	1230
756/756ER-09	2"	50	50	130	29	93	154	68	25	2030
756/756ER-10	2 1/2"	65	64	144	28	119	224	85	25	3450
756/756ER-11	3"	80	75	174	40	128	224	96	25	5139
756/756ER-12	4"	100	99	214	43	147	224	124	25	8600