

Brass

TECHNICAL DATA

temperature range: - 20°C up to max. + 150°C, pressure-dependent
 pressure range : max. PN 40 bar,
 depending on nominal size and temperature

connecting thread: according to DIN EN ISO 228-1

body material: Brass CW614N nickel plated

threaded ends: Brass CW614N nickel plated

ball: Brass CW614N chromium plated

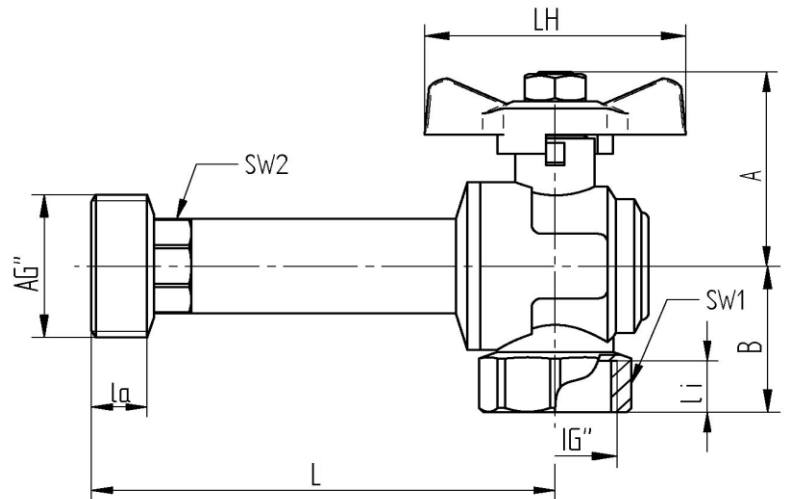
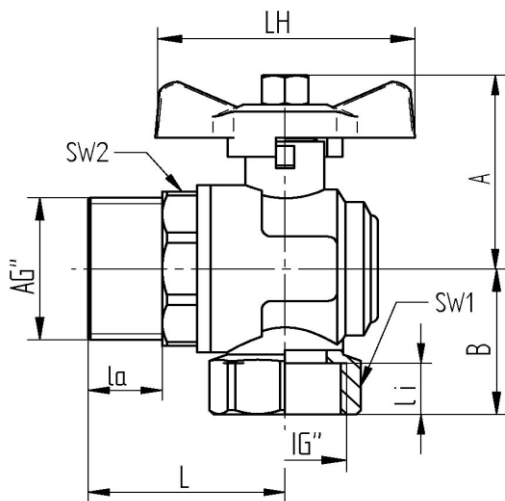
ball seals: PTFE

stem: Brass CW614N nickel plated

stem seals: PTFE , O-Ring FKM with packing gland

butterfly handle: Aluminium painted

B = blue
R = red



| Art. Nr. | IG" | AG" | DN | L mm | li mm | la mm | A mm | B mm | LH mm | SW1 | SW2 | PN (bar) | weight (g) |
|-------------|------|--------|----|------|-------|-------|------|------|-------|-----|-----|----------|------------|
| 745-56R/B43 | 3/4" | 1" | 18 | 43 | 12 | 16 | 45,5 | 34 | 56 | 31 | 36 | 40 | 381 |
| 745-66R/B46 | 1" | 1" | 20 | 46 | 14 | 16 | 51 | 40 | 72 | 38 | 36 | 32 | 489 |
| 745-67R/B47 | 1" | 1 1/4" | 20 | 47 | 14 | 16 | 51 | 40 | 72 | 38 | 42 | 32 | 542 |

| Art. Nr. | IG" | AG" | DN | L mm | li mm | la mm | A mm | B mm | LH mm | SW1 | SW2 | PN (bar) | weight (g) |
|--------------|------|--------|----|------|-------|-------|------|------|-------|-----|-----|----------|------------|
| 745-56R/B100 | 3/4" | 1" | 18 | 100 | 12 | 12 | 45,5 | 34 | 56 | 31 | 24 | 40 | 450 |
| 745-66R/B110 | 1" | 1" | 20 | 110 | 14 | 12 | 51 | 40 | 72 | 38 | 26 | 32 | 605 |
| 745-67R/B120 | 1" | 1 1/4" | 20 | 120 | 14 | 16 | 51 | 40 | 72 | 38 | 26 | 32 | 630 |

07/2022