

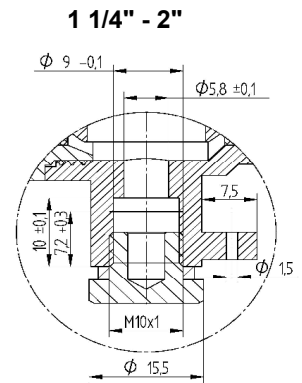
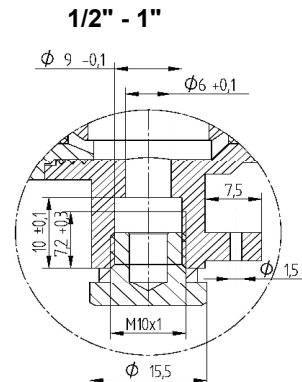
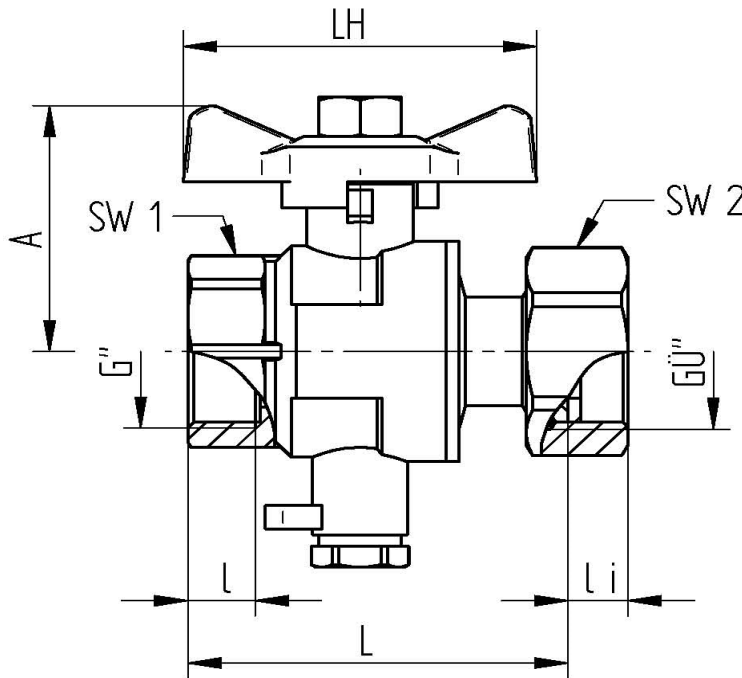
Brass

TECHNICAL DATA

temperature range:	- 20°C up to max. + 150°C, pressure-dependent
pressure range :	max. PN 40 bar, depending on nominal size and temperature
connecting thread:	according to DIN ISO 228/1
body material:	hot-pressed brass MS 58, nickel plated
threaded ends:	hot-pressed brass MS 58, nickel plated
swivel end:	union nut, with drilled hole for sealing
ball:	hot-pressed brass MS 58, hard chromed
ball seals:	PTFE
stem:	hot-pressed brass MS 58
stem seals:	PTFE with packing gland and O-ring FKM/FPM
butterfly handle:	7226R Alu red painted 7226B Alu blue painted
handle:	steel lever red plastic coated - 11/4"+11/2"+2"



Connecting thread female/female



Art. Nr.	G"	GÜ"	DN	L mm	l mm	li mm	A mm	LH mm	SW1 mm	SW2 mm	PN bar	weight (g)
7226-44	1/2"	1/2"	15	54	9	9	40	56	25	26	40	238
7226-45	1/2"	3/4"	15	55	9	9,5	40	56	25	32	40	266
7226-55	3/4"	3/4"	20	60	9	9,5	44	56	31	32	40	327
7226-56	3/4"	1"	20	62	9	11,5	44	56	31	38	40	356
7226-66	1"	1"	25	69	11	11,5	53	72	38	38	32	496
7226-67	1"	1 1/4"	25	71	11,5	13	53	72	38	46,5	32	559
7226-77	1 1/4"	1 1/4"	32	93	17	13	71	130	48	46,5	20	992
7226-89	1 1/2"	2"	40	108	17	13,5	77	130	54	65	20	1406