

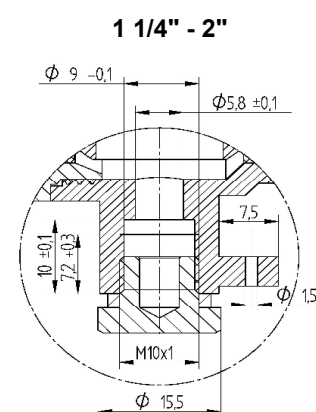
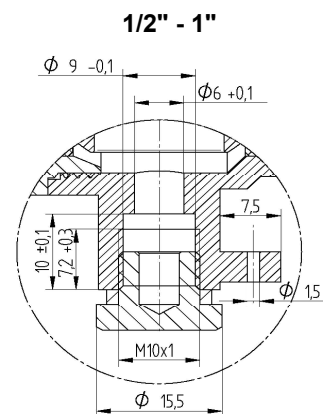
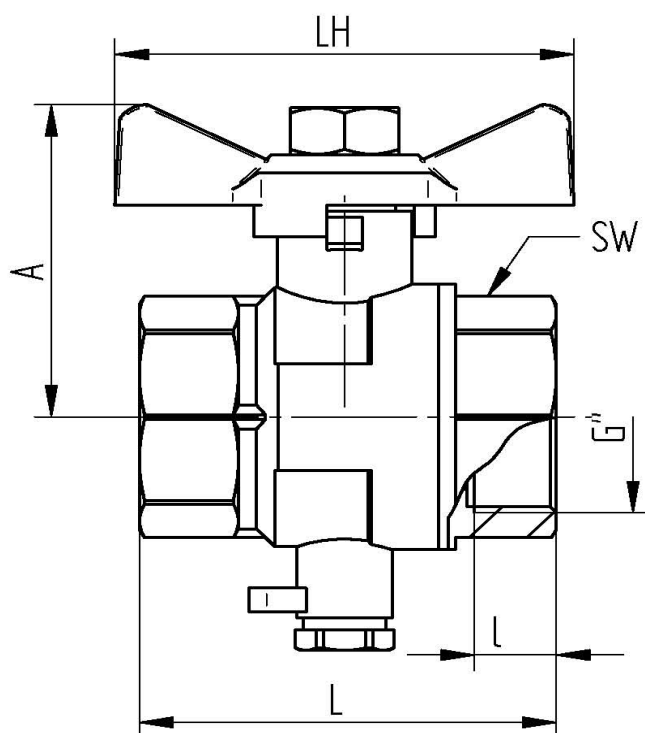
## Brass

### TECHNICAL DATA

temperature range:	- 20°C up to max. + 150°C, pressure-dependent
pressure range :	max. PN 40 bar, depending on nominal size and temperature
connecting thread:	according to DIN ISO 228/1
body material:	hot-pressed brass MS 58, nickel plated
threaded ends:	hot-pressed brass MS 58, nickel plated
swivel end:	union nut, with drilled hole for sealing
ball:	hot-pressed brass MS 58, hard chromed
ball seals:	PTFE
stem:	hot-pressed brass MS 58
stem seals:	PTFE with packing gland and O-ring FKM/FPM
butterfly handle:	<b>7126R</b> Alu red painted
handle:	<b>7126B</b> Alu red painted steel lever red plastic coated - 11/4"+11/2"+2"



### Connecting thread female/female



Art.Nr.	G"	DN	L mm	l mm	A mm	LH mm	SW mm	PN bar	Gewicht (g)
7126-04	1/2"	15	48	9	39	56	25	40	188
7126-05	3/4"	20	54	9	42	56	31	40	260
7126-06	1"	25	65	11	53	72	38	32	429
7126-07	1 1/4"	32	87	17	71	130	48	20	946
7126-08	1 1/2"	40	98	17	77	130	54	20	1308
7126-09	2"	50	113	21	92	153	68	20	1670