

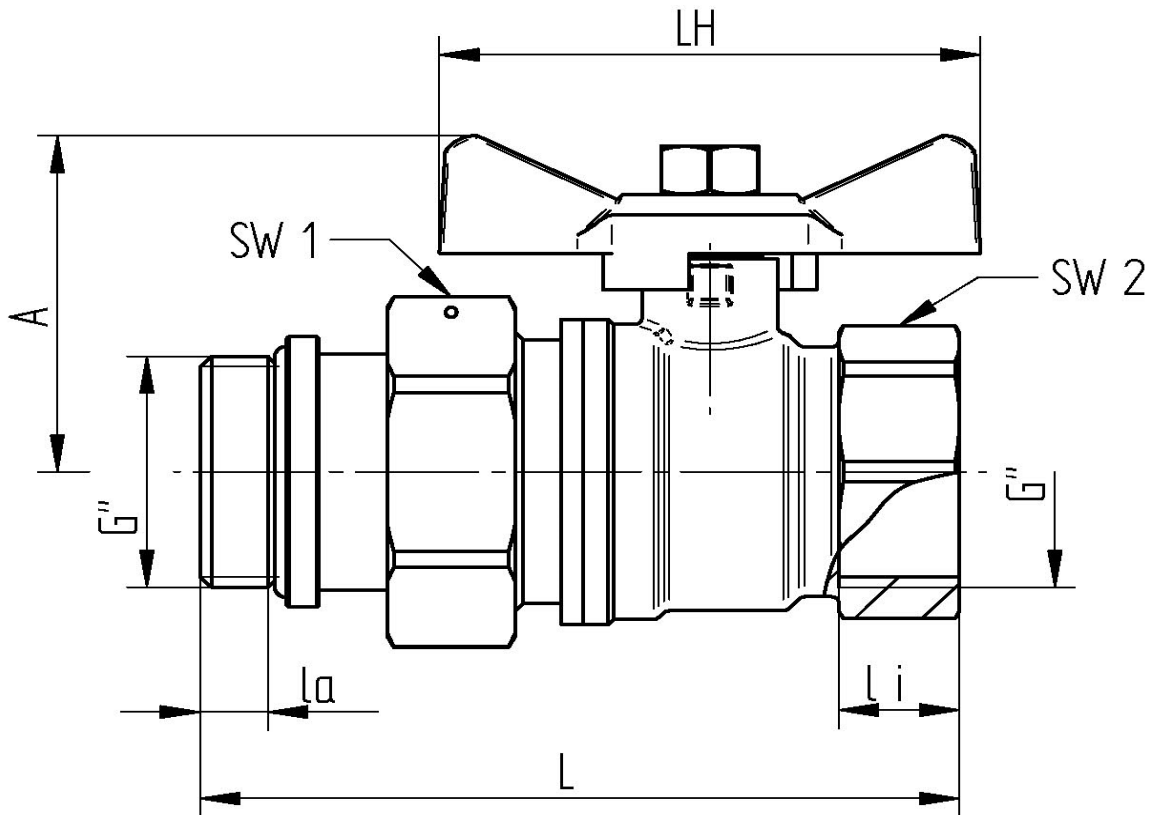
## Brass

### TECHNICAL DATA

|                    |  |
|--------------------|--|
| temperature range: | - 20°C up to max. + 150°C, pressure-dependent                |
| pressure range :   | max. PN 32 bar,<br>depending on nominal size and temperature |
| connecting thread: | according to DIN EN ISO 228-1                                |
| body material:     | CW617N, nickel plated  |
| threaded ends:     | CW617N, nickel plated  |
| swivel end:        | union nut, with drilled hole for sealing                     |
| ball:              | Brass CW614N   |
| ball seals:        | PTFE   |
| stem:              | Brass CW614N nickel plated                                   |
| stem seals:        | PTFE , O-Ring FKM with packing gland                         |
| butterfly handle:  | Alu red painted  |
| hand lever:        | steel, red plastic cover from 1 1/2"                         |



### Connecting thread female/male



| Art. Nr. | G" | DN | L mm | la mm | li mm | A mm | LH mm | SW1 mm | SW2 mm | PN bar |
|----------|----|----|------|-------|-------|------|-------|--------|--------|--------|
| 713-66   | 1" | 25 | 101  | 10    | 15    | 49   | 72    | 45     | 40     | 32     |