

## Brass

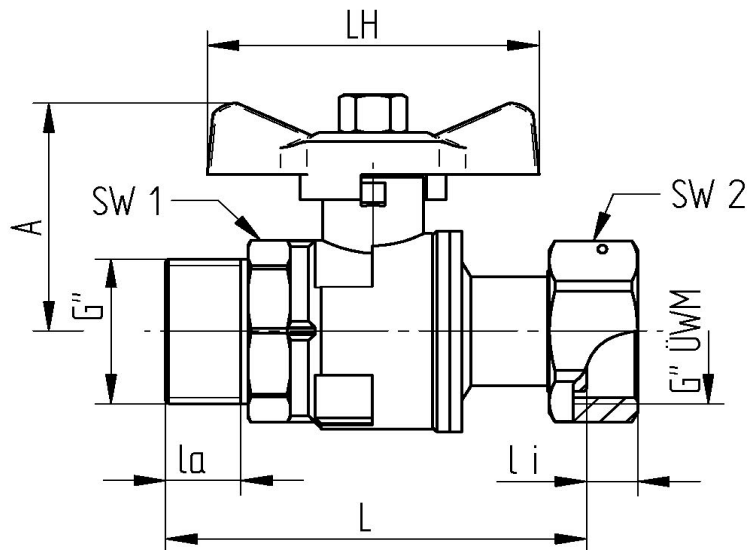
### TECHNICAL DATA

temperature range:	- 20°C up to max. + 150°C, pressure-dependent
pressure range :	max. PN 40 bar, depending on nominal size and temperature
connecting thread:	according to DIN EN ISO 228-1
body material:	Brass CW617N nickel plated
threaded ends:	Brass CW617N nickel plated
swivel end:	union nut, with drilled hole for sealing
ball:	Brass CW617N chromium plated
ball seals:	PTFE
stem:	Brass CW617N nickel plated
stem seals:	PTFE , O-Ring FKM with packing gland
butterfly handle:	Alu red painted
hand lever:	steel, red plastic cover from 1 1/2"



k = assembled of 616 or 610 + 98000725

### Connecting thread female/male



Art. Nr.	DN	G"	GÜ"	L mm	la mm	li mm	A mm	LH mm	SW1 mm	SW2 mm	PN bar	weight (g)
709-45	15	1/2"	3/4"	63	13	9,5	39,5	56	26	32	40	283
709-55	15	3/4"	3/4"	70,7	14	9	43	56	32	32	40	305
709-56k	20	3/4"	1"	84,3	13	11	41,5	56	32	38	40	402
709-66	20	1"	1"	78	17	11	52	72	36	38	32	679
709-67k	24	1"	1 1/4"	104,6	17	13	51,5	72	40	47	32	908
709-77k	25	1 1/4"	1 1/4"	113	17	13	63	78	48	47	25	928
709-78	32	1 1/4"	1 1/2"	96,5	17	11	63	78	47	53	25	910
709-88k	29	1 1/2"	1 1/2"	131	17	13	74	130	54	53	20	1361
709-89k	29	1 1/2"	2"	132,5	17	13	74	130	54	65	20	1474
709-99k	37	2"	2"	152	17,5	17,5	95	154	68	65	16	2191