

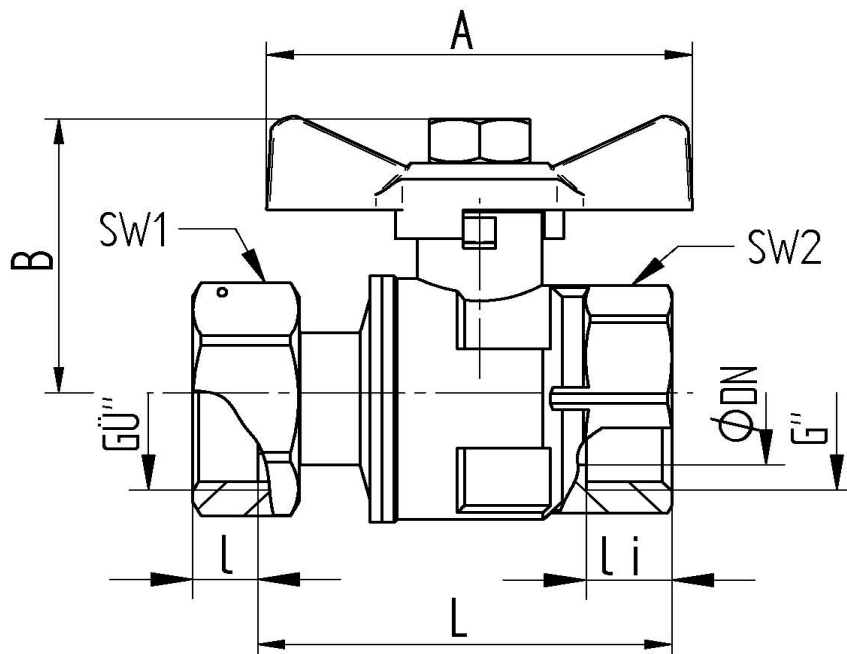
## Brass

### TECHNICAL DATA

temperature range:	- 20°C up to max. + 150°C, pressure-dependent
pressure range :	max. PN 40 bar, depending on nominal size and temperature
connecting thread:	according to DIN ISO 228/1
body material:	Brass CW617N nickel plated
threaded ends:	Brass CW617N nickel plated
swivel end:	union nut, with drilled hole for sealing
ball:	Brass CW614N chromium plated
ball seals:	PTFE
stem:	Brass CW614N nickel plated
stem seals:	PTFE , O-Ring FKM with packing gland
butterfly handle:	Alu red painted
hand lever:	steel, red plastic cover from 1 1/2"



### Connecting thread female/female



Item No.	G"	GÜ"	øDN	L mm	l mm	li mm	A mm	LH mm	SW1 mm	SW2 mm	PN bar	weight (g)
708-44	1/2"	1/2"	14,5	58,3	9,2	11,5	39,5	56	26	26	40	216
708-45	1/2"	3/4"	14,5	55,5	9,5	11,5	39,5	56	31,7	26	40	230
708-55	3/4"	3/4"	19	61	9	11	43	56	30	32	40	304
708-56	3/4"	1"	19	61,5	11,5	11	43	56	37,8	32	40	325
708-66	1"	1"	24	70,5	11	13	52	72	37,8	39	32	488
708-67	1"	1 1/4"	24	73	13	13	52	72	46,5	39	32	555
708-68	1"	1 1/2"	24	71	11	13	52	72	53	39	32	563
708-77	1 1/4"	1 1/4"	32	86	13	12,5	63	78	46,5	48	25	789
708-78	1 1/4"	1 1/2"	32	83	11	12,5	63	78	53	48	25	784
708-88	1 1/2"	1 1/2"	38	92,5	13	13	73	130	53	54	20	1123
708-89	1 1/2"	2"	38	121,5	13,5	13	73	130	65	54	20	1436
708-99	2"	2"	49	116	13,5	17,5	92	154	65	68	20	1806