

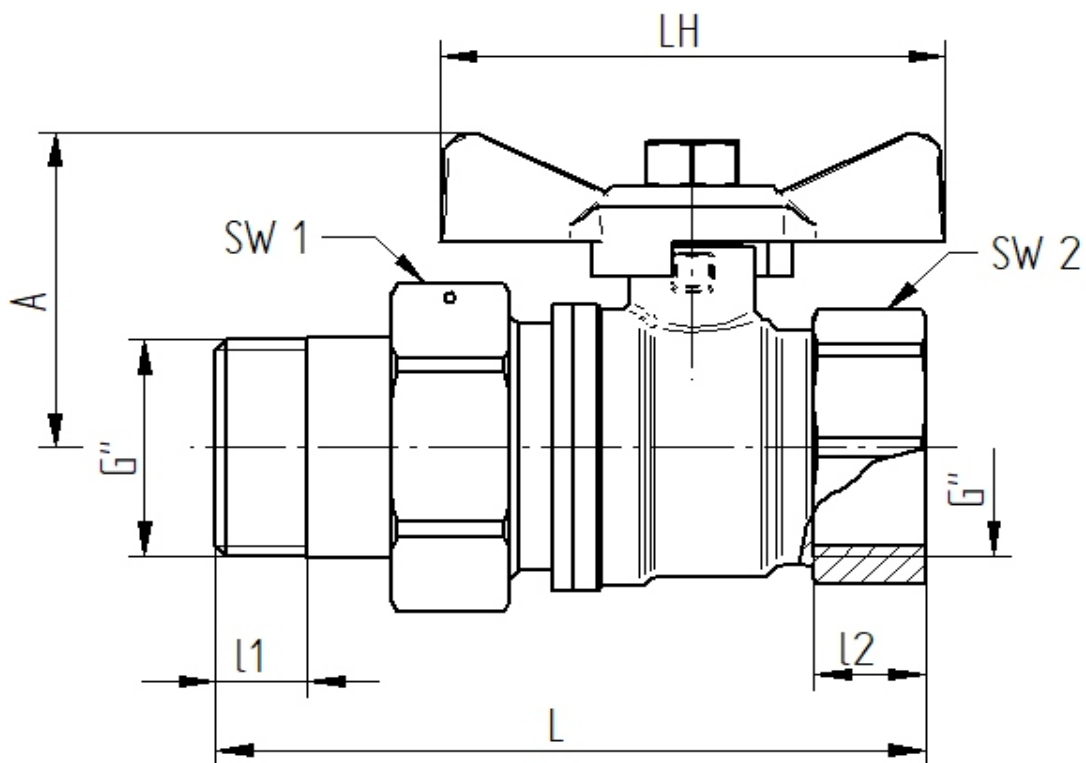
## Brass

### TECHNICAL DATA

temperature range:	- 20°C up to max. + 150°C, pressure-dependent
pressure range :	max. PN 40 bar, depending on nominal size and temperature
connecting thread:	according to DIN EN ISO 228-1
body material:	Brass CW617N nickel plated
threaded ends:	Brass CW617N nickel plated
ball:	Brass CW614N chromium plated
ball seals:	PTFE
stem:	Brass CW614N nickel plated
stem seals:	PTFE , O-Ring FKM with packing gland
butterfly handle:	Alu red painted
<b>703B:</b>	Alu blue painted



### Connecting thread female / male



Art. Nr.	G"	DN	L mm	l 1 mm	l 2 mm	A mm	LH mm	SW 1	SW 2	PN(bar)	Gewicht (g)
703-04	1/2"	15	86	13	12	38	56	32	26	32	204
703-05	3/4"	20	88	14	13	43	56	38	32	32	332
703-56	3/4"x1"	20	89	13	13	43	56	37	32	32	370
703-06	1"	25	101	14	15	53	72	45	38	32	532
703-07	1 1/4"	32	111	15	15	63	78	52	46	25	753