

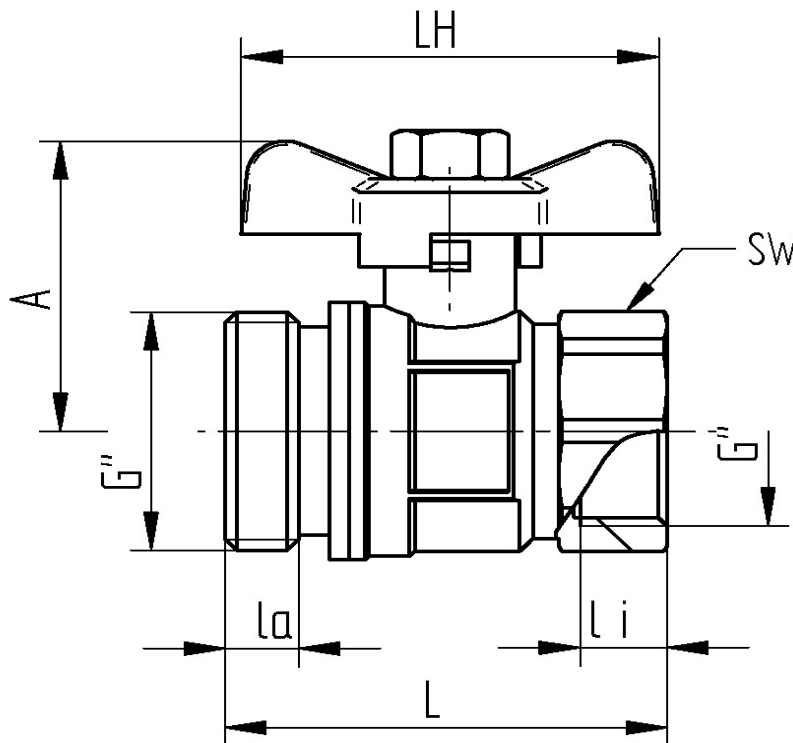
Brass

TECHNICAL DATA

temperature range:	- 20°C up to max. + 150°C, pressure-dependent
pressure range :	max. PN 40 bar, depending on nominal size and temperature
connecting thread:	according to DIN EN ISO 228-1
body material:	Brass CW617N nickel plated
threaded ends:	Brass CW617N nickel plated
ball:	Brass CW614N chromium plated
ball seals:	PTFE
stem:	Brass CW614N nickel plated
stem seals:	PTFE , O-Ring FKM with packing gland
butterfly handle:	Alu red painted



Connecting thread female/male



Art. Nr.	DN	IG"	AG"	L mm	la mm	li mm	A mm	LH mm	SW mm	PN bar	Gewicht (g)
707-45	15	1/2"	3/4"	51	7	13	41	56	26	40	168
707-56	20	3/4"	1"	57	9	13	43	56	32	40	268
707-57	20	3/4"	1 1/4"	58,5	15	12	43	56	32	40	291
707-66	25	1"	1"	65	11	15	52	72	38	32	386
707-67	25	1"	1 1/4"	69	15	16	52	72	38	32	386
707-78	32	1 1/4"	1 1/2"	77	15	14	60	78	46	25	505
707-89	40	1 1/2"	2"	90	16	16	62	78	53	20	845