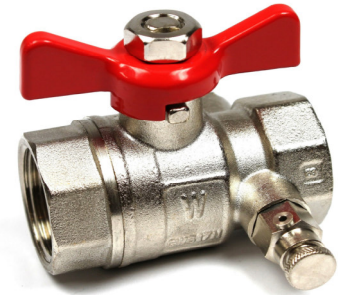


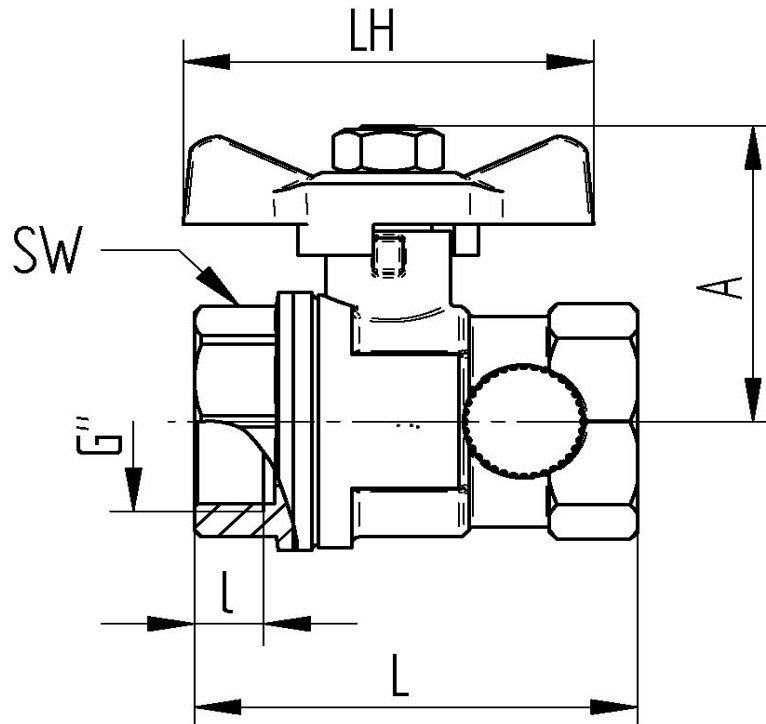
Brass

TECHNICAL DATA

temperature range:	- 20°C up to max. + 150°C, pressure-dependent
pressure range :	max. PN 40 bar, depending on nominal size and temperature
connecting thread:	according to DIN EN ISO 228-1
body material:	Brass CW617N nickel plated
threaded ends:	Brass CW617N nickel plated
ball:	Brass CW614N chromium plated
ball seals:	PTFE
stem:	Brass CW614N nickel plated
stem seals:	PTFE , O-Ring FKM/FPM
packing gland:	Brass CW617N nickel plated
strainer:	stainless steel - AISI304 - mesh size 0,5 mm
O-Ring plug:	EPDM
O-Ring draining:	EPDM
butterfly lever:	aluminium, red coated



Connecting thread female/female



Art.Nr.	G"	DN	L mm	l mm	A mm	LH mm	SW mm	PN bar	weight (g)
7046-04	1/2"	15	60	11	38	56	26	40	205
7046-05	3/4"	20	61	11	42	56	32	40	205
7046-06	1"	25	74	14	52	72	38	32	414
7046-07	1 1/4"	32	85	14	63	78	50	25	697
7046-08	1 1/2"	40	93	15	67	78	54	20	895