

## Brass

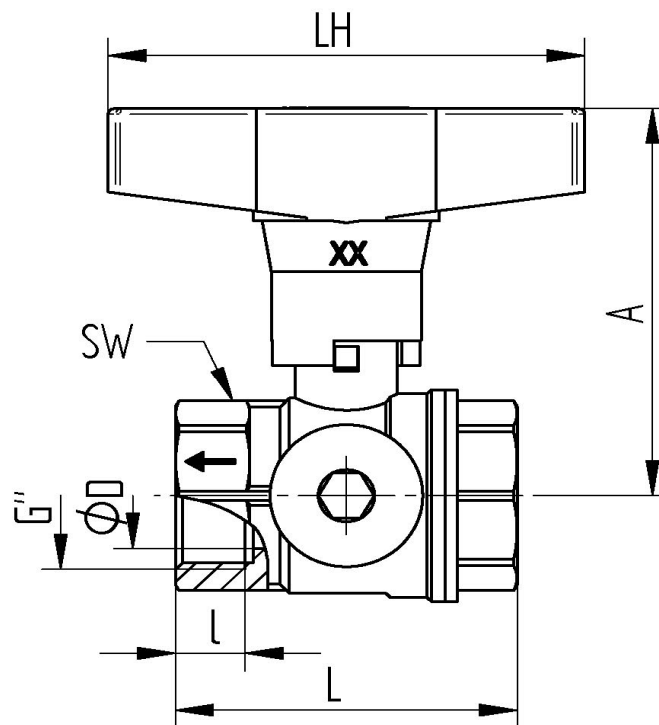
### TECHNICAL DATA

Body material :	Brass CW617N nickel-plated
Screw-in socket :	Brass CW617N nickel-plated
Connection thread :	according to DIN EN ISO 228-1
Ball :	Brass CW614N chrome-plated
Ball seals :	PTFE
Stem :	Brass CW614N nickel-plated
Stem packing :	PTFE , O-ring FKM with packing gland
Strainer:	Stainless steel AISI304
Mesh size:	Size 04-Gr.06 = 0.8 mm Size 07-Gr.09 = 1.0 mm
handle:	extended aluminium T-lever, black painted
Operating temperature :	- 20°C to max. + 150°C, pressure dependent
Operating pressure :	max. PN 40 bar, depending on nominal size and operating temperature



strainer can be cleaned or replaced during the operation of the ball valve (in the closed state)

### Connecting thread female/female



Art.Nr.	G"	øD mm	L mm	l mm	A mm	LH mm	SW mm	PN bar	weight (gr)
6080-04	1/2"	14	52	12	68	80	26	40	260
6080-05	3/4"	19	57	12	72	80	32	40	363
6080-06	1"	24	65,8	14	78	80	40	32	534
6080-07	1 1/4	32	83	16	86	120	50	25	915
6080-08	1 1/2	38	93	18	94	120	55	25	1260
6080-09	2"	50	110	19	108	120	68	20	2050