

Brass

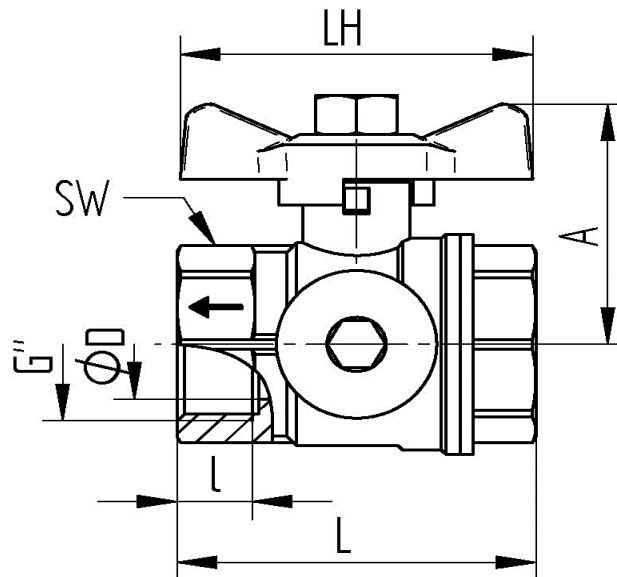
TECHNICAL DATA

Body material :	Brass CW617N nickel-plated
Screw-in socket :	Brass CW617N nickel-plated
Connection thread :	according to DIN EN ISO 228-1
Ball :	Brass CW614N chrome-plated
Ball seals :	PTFE
Stem :	Brass CW614N nickel-plated
Stem packing :	PTFE , O-ring FKM with packing gland
Strainer:	Stainless steel AISI304
Mesh size:	Size 04-Gr.06 = 0.8 mm Size 07-Gr.09 = 1.0 mm
Shift lever:	Size 04-Gr.07 Aluminum butterfly handle, painted red Size 08-Gr.09 Steel handle, red plastic sleeve
Operating temperature :	- 20°C to max. + 150°C, pressure dependent
Operating pressure :	max. PN 40 bar, depending on nominal size and operating temperature



Strainer can be cleaned or replaced when the ball valve is closed.

Connecting thread female/female



Art.Nr.	G"	øD mm	L mm	I mm	A mm	LH mm	SW mm	PN bar	weight (gr)
6060-04	1/2"	14	52	12	40	56	26	40	200
6060-05	3/4"	19	57	12	43	56	32	40	293
6060-06	1"	24	65,8	14	52	72	40	32	474
6060-07	1 1/4"	32	83	16	63,5	78	50	25	840
6060-08	1 1/2"	38	93	18	72	130	55	25	1215
6060-09	2"	50	110	19	92,5	154	68	20	2068