

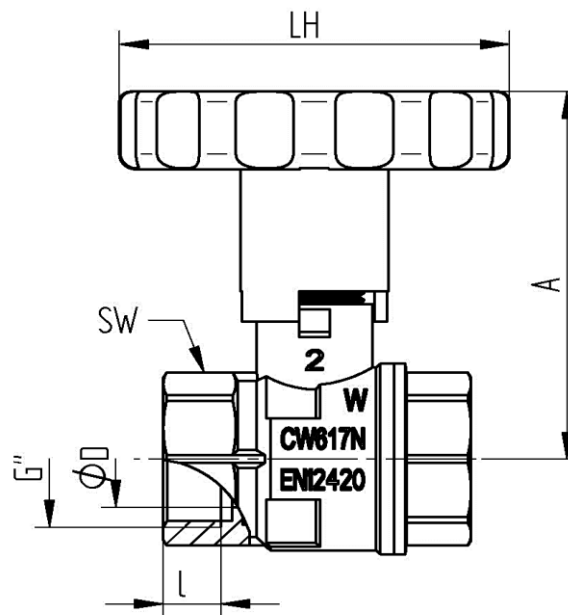
Brass

TECHNICAL DATA

temperature range :	-20°C up to max. +120°C, pressure-dependent
pressure range :	max. PN 40 bar
connecting thread:	according to DIN EN ISO 228-1
body material:	Brass CW617N nickel plated
threaded ends:	Brass CW617N nickel plated
ball:	Brass CW614N chromium plated
ball seals:	PTFE
stem:	Brass CW614N nickel plated
stem seals:	2xPTFE with packing gland
thermometer handle:	zinc die casting chrome plated
Handle cover:	plastic blue or red
Thermometer handle fixed with ball valve	



Connecting thread male / male



Art. Nr.	G"	DN	øD	L mm	l mm	A mm	LH mm	SW mm	PN bar	weight (g)
695-05B/R	3/4"	20	19	56	12	72	71	32	40	382
695-06B/R	1"	15	24	68	15	76	71	40	32	530
695-07B/R	1 1/4"	32	32	76	13	99	92	48	25	834
695-08B/R	1 1/2"	40	38	84	13	103	92	54	20	1080
695-09B/R	2"	50	49	106	18	114	92	68	20	1695