

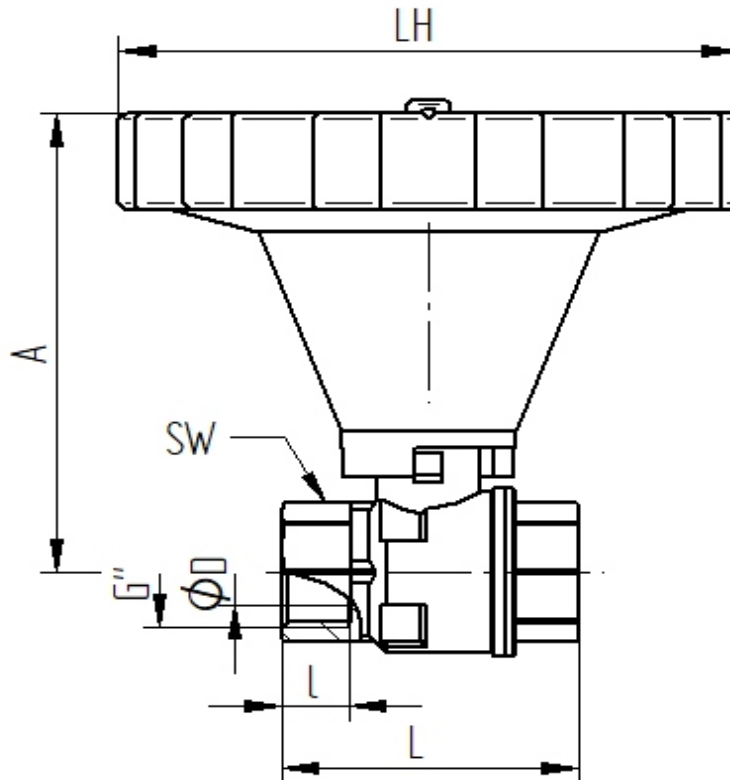
### Brass

#### TECHNICAL DATA

temperature range :	0°C up to max. +120°C, pressure-dependent
pressure range :	max. PN 40 bar
compressed air:	max. 10 bar
connecting thread:	according to DIN EN ISO 228-1
body material:	Brass CW617N nickel plated
threaded ends:	Brass CW617N nickel plated
ball:	Brass CW614N chromium plated
ball seals:	PTFE
stem:	Brass CW614N nickel plated
stem seals:	PTFE , O-Ring FKM with packing gland
thermometer lever:	plastic blue or red



### Connecting thread female / female



Art. Nr.	G"	DN	øD	L mm	l mm	A mm	LH mm	SW mm	PN bar	weight (g)
690-05B/R	3/4"	20	19	55	12	81	92	32	40	540
690-06B/R	1"	25	24	68	15	90	92	40	32	770
690-07B/R	1 1/4"	32	32	76	15	98	92	48	25	965
690-08B/R	1 1/2"	40	38	84	15	102	92	54	20	1150
690-09B/R	2"	50	49,5	106	19	117	92	68	20	1840