

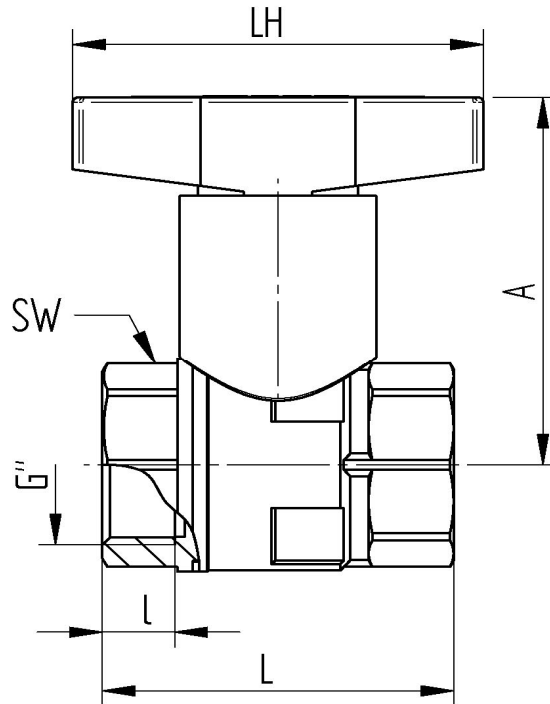
## Brass

### TECHNICAL DATA

temperature range :	-20°C up to max. +150°C, pressure-dependent
pressure range :	max. PN 40 bar
compressed air:	max. 10 bar
connecting thread:	according to DIN EN ISO 228-1
body material:	Brass CW617N nickel plated
threaded ends:	Brass CW617N nickel plated
ball:	Brass CW614N chromium plated
ball seals:	PTFE
stem:	Brass CW614N nickel plated
stem seals:	PTFE , O-Ring FKM with packing gland
handle:	extended plastic with isolating sleeve, black



### Connecting thread female / female



Art. Nr.	G"	DN	L mm	l mm	A mm	LH mm	SW mm	PN bar	weight (g)
685-04	1/2"	15	50	12	66	80	26	40	215
685-05	3/4"	20	55	12	70	80	32	40	299
685-06	1"	25	68	15	77	80	40	32	504
685-07	1 1/4"	32	76	14	87	120	48	25	692
685-08	1 1/2"	40	84	15	92	120	54	20	920
685-09	2"	50	106	19	106	120	68	20	1565