

### Brass

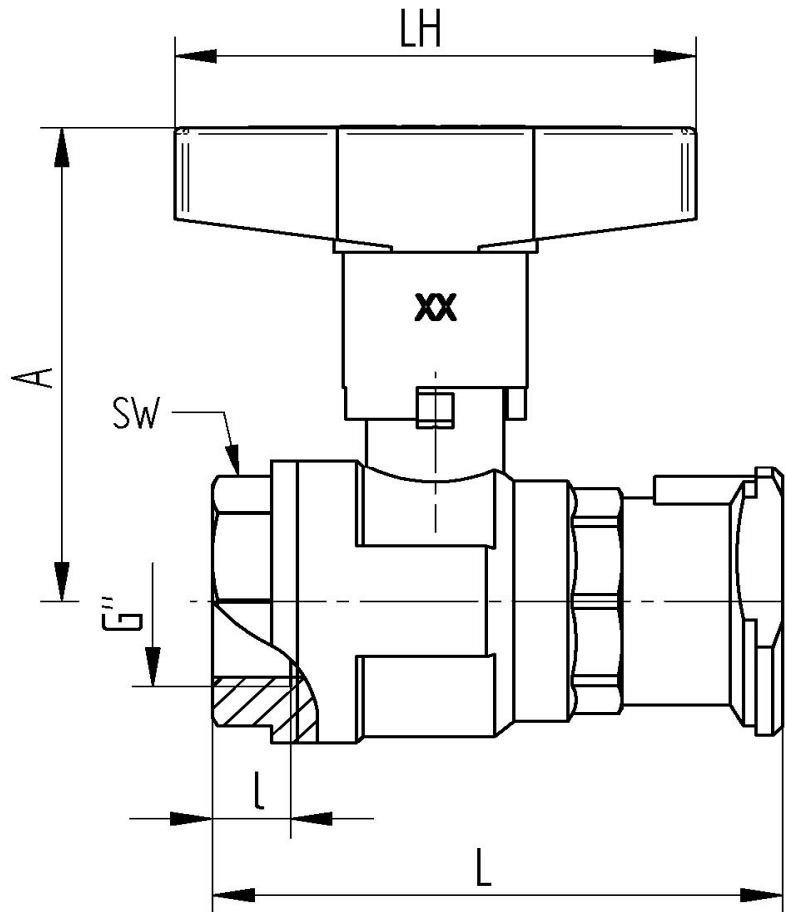
#### TECHNICAL DATA

temperature range:	- 10°C up to max. + 100°C, pressure-dependent
pressure range :	max. PN 20 bar, depending on temperature
connecting:	female thread according to DIN ISO 228/1 / Flange
body material:	CW614N, nickel plated
threaded ends:	CW614N, nickel plated
ball:	CW614N, hard chromed
ball seals:	PTFE
stem:	CW614N, nickel plated
stem seals:	PTFE , O-Ring FKM with packing gland
handle:	Nylon T-lever, black



#### With gravity break and setting-up device

### Connecting thread male / male



Art.Nr.	G"	FL	DN	L mm	l mm	A mm	LH mm	SW mm	PN bar	weight (g)
1086	1"	1"	25	86	13	78	80	38	20	453
1088	1 1/4"	1 1/4"	32	96	16	85	120	46	20	673