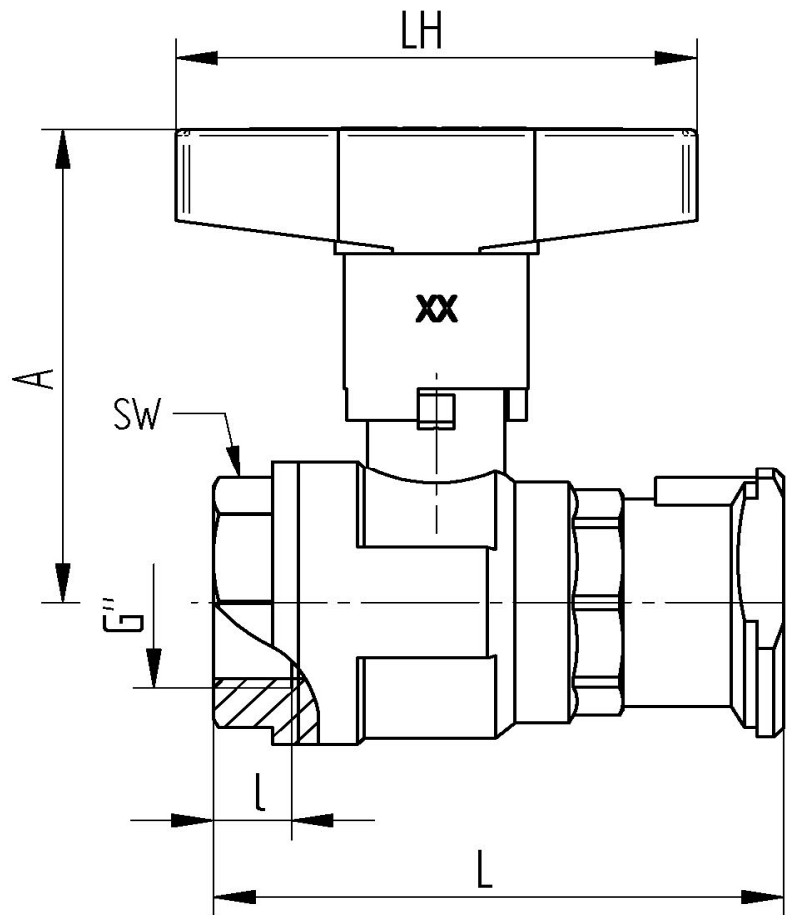


## Brass

### TECHNICAL DATA

temperature range:	- 20°C up to max. + 150°C, pressure-dependent
pressure range :	max. PN 20 bar, depending on temperature
connecting:	female thread according to DIN ISO 228/1 / Flange
body material:	CW614N, nickel plated
threaded ends:	CW614N, nickel plated
ball:	CW614N, hard chromed
ball seals:	PTFE
stem:	CW614N, nickel plated
stem seals:	PTFE , O-Ring FKM with packing gland
handle:	Nylon T-lever, black



Art.Nr.	G"	FL	DN	L mm	l mm	A mm	LH mm	SW mm	PN bar	weight (g)
1081	1"	1"	25	86	13	78	80	38	20	446
1083	1 1/4"	1 1/4"	32	96	16	85	120	46	20	651