

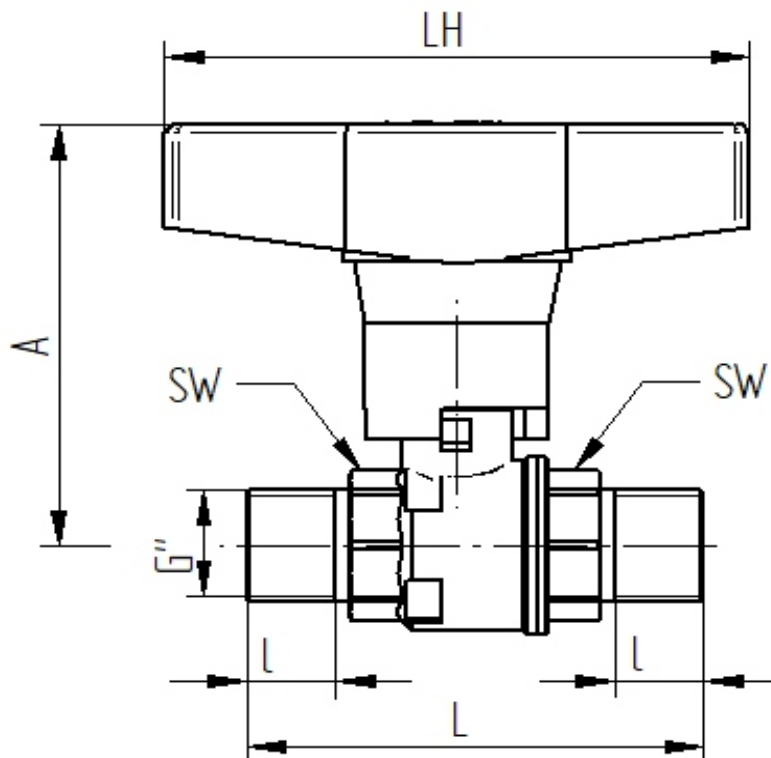
Brass

TECHNICAL DATA

temperature range :	-20°C up to max. +150°C, pressure-dependent
pressure range :	max. PN 40 bar
compressed air:	max. 10 bar
connecting thread:	according to DIN EN ISO 228-1
body material:	Brass CW617N nickel plated
threaded ends:	Brass CW617N nickel plated
ball:	Brass CW614N chromium plated
ball seals:	PTFE
stem:	Brass CW614N nickel plated
stem seals:	PTFE , O-Ring FKM with packing gland
handle:	aluminium, coated black



Connecting thread male / male



Art. Nr.	G"	øDN	L mm	l mm	A mm	LH mm	SW mm	PN bar	weight (g)
682-03	3/8"	10	62	14	63	80	21	40	167
682-04	1/2"	15	69	14	66	80	26	40	213
682-05	3/4"	20	71	14	70	80	31	40	314
682-06	1"	25	83	17	77	80	36	32	510
682-07	1 1/4"	32	103	17	87	120	47	25	898
682-08	1 1/2"	40	106	17	92	120	52	20	1076
682-09	2"	50	123	17	106	120	67	16	1680