

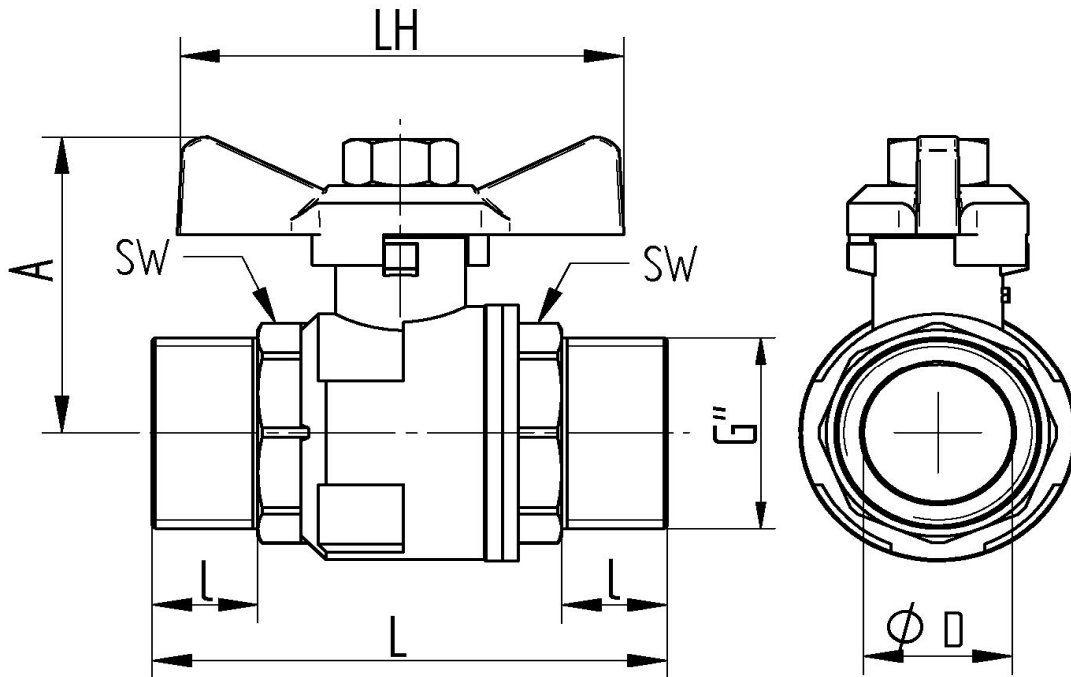
Brass

TECHNICAL DATA

temperature range:	- 20°C up to max. + 150°C, pressure-dependent
pressure range :	max. PN 40 bar, depending on nominal size and temperature
compressed air:	max. 10 bar
connecting thread:	according to DIN EN ISO 228-1
body material:	Brass CW617N nickel plated
threaded ends:	Brass CW617N nickel plated
ball:	Brass CW614N hard chromium plated
ball seals:	PTFE
stem:	Brass CW614N nickel plated
stem seals:	PTFE , O-Ring FKM with packing gland
butterfly handle:	Alu red painted



Connecting thread male / male



Art.Nr.	G"	øD	L mm	l mm	A mm	LH mm	SW mm	PN(bar)	Gewicht (g)
626-03	3/8"	10	62	14	33	56	20	40	135
626-04	1/2"	13	69	14	38	56	26	40	230
626-05	3/4"	19	71	14	42	56	32	40	335
626-06	1"	24	83	17	52	72	36	32	487
626-07	1 1/4"	32	103	17	64	78	48	25	840
626-08	1 1/2"	38	106	17	68	78	54	20	1076