

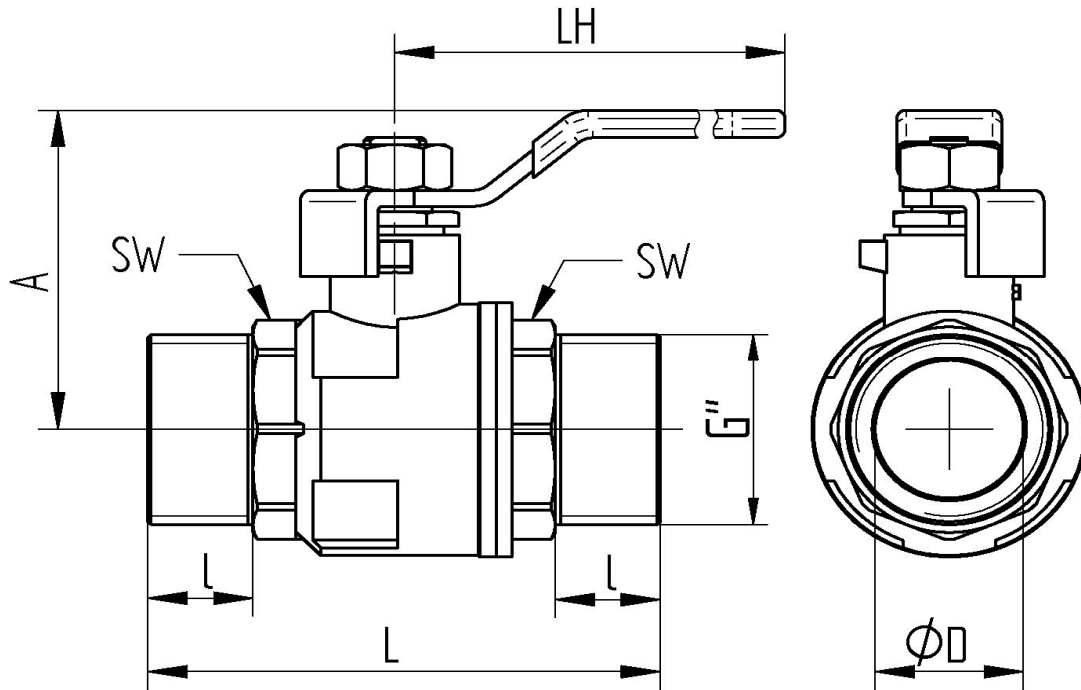
### Brass

#### TECHNICAL DATA

temperature range:	- 20°C up to max. + 150°C, pressure-dependent
pressure range :	max. PN 40 bar, depending on nominal size and temperature
compressed air:	max. 10 bar
connecting thread:	according to DIN EN ISO 228-1
body material:	Brass CW617N nickel plated
threaded ends:	Brass CW617N nickel plated
ball:	Brass CW614N hard chromed
ball seals:	PTFE
stem:	Brass CW614N nickel plated
stem seals:	PTFE , O-Ring FKM with packing gland
handle:	<b>620</b> -steel, red plastic coated <b>624</b> - stainless steel, red plastic coated



### Connecting thread male / male



Art.Nr.	G"	øD	L mm	l mm	A mm	LH mm	SW mm	PN bar	weight (g)
620_624-03	3/8"	10	62	14	42	91	20	40	130
620_624-04	1/2"	13	69	14	45	91	26	40	225
620_624-05	3/4"	19	71	14	49	91	32	40	314
620_624-06	1"	24	83	17	58	100	40	32	510
620_624-07	1 1/4"	32	103	17	72	130	48	25	890
620_624-08	1 1/2"	38	106	17	77	130	54	20	1076
620_624-09	2"	49,5	123	17	97	154	68	16	1520