

### Brass

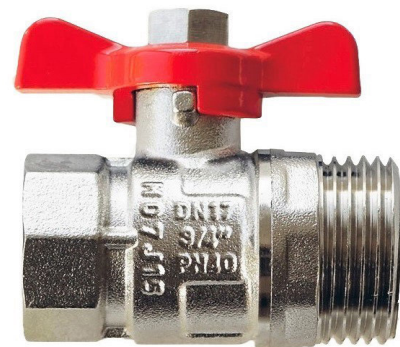
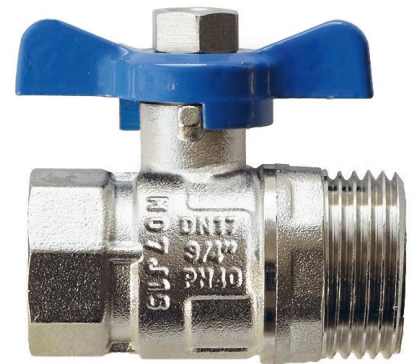
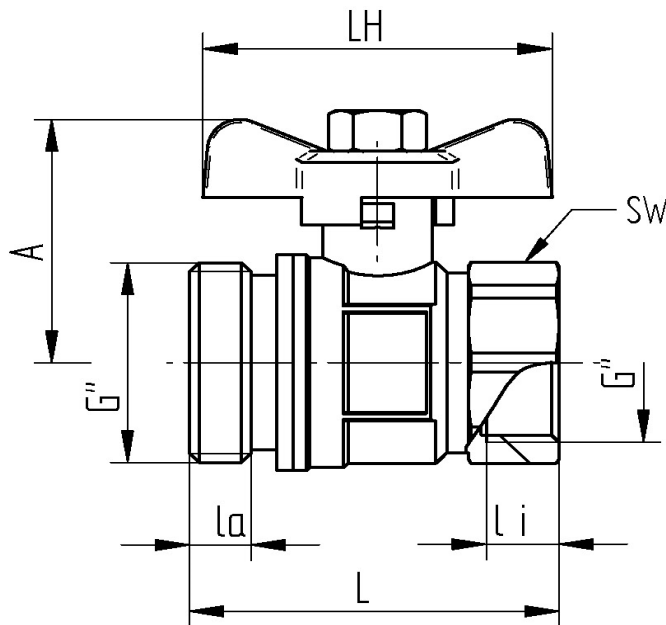
#### TECHNICAL DATA

temperature range:	- 20°C up to max. + 150°C, pressure-dependent
pressure range :	max. PN 40 bar, depending on nominal size and temperature
connecting thread:	according to DIN EN ISO 228-1
body material:	Brass CW617N nickel plated
threaded ends:	Brass CW617N nickel plated
ball:	Brass CW614N chromium plated
ball seals:	PTFE
stem:	Brass CW614N nickel plated
stem seals:	PTFE , O-Ring FKM with packing gland

#### Set consists of:

1 x 707-56B	Butterfly handle, aluminium <b>blue</b> painted
1 x 707-56	Butterfly handle, aluminium <b>red</b> painted

### Connecting thread female/male



Art. Nr.	DN	IG"	AG"	L mm	la mm	li mm	A mm	LH mm	SW mm	PN bar	weight (g)
707-56	20	3/4"	1"	57	9	13	43	56	32	40	268