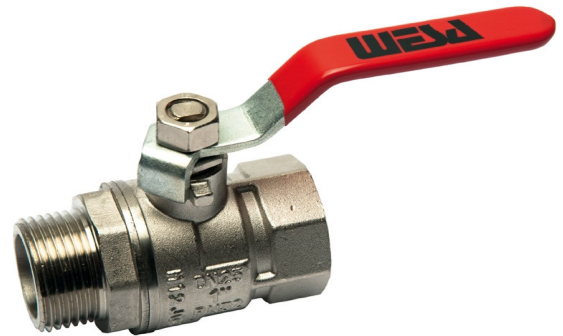


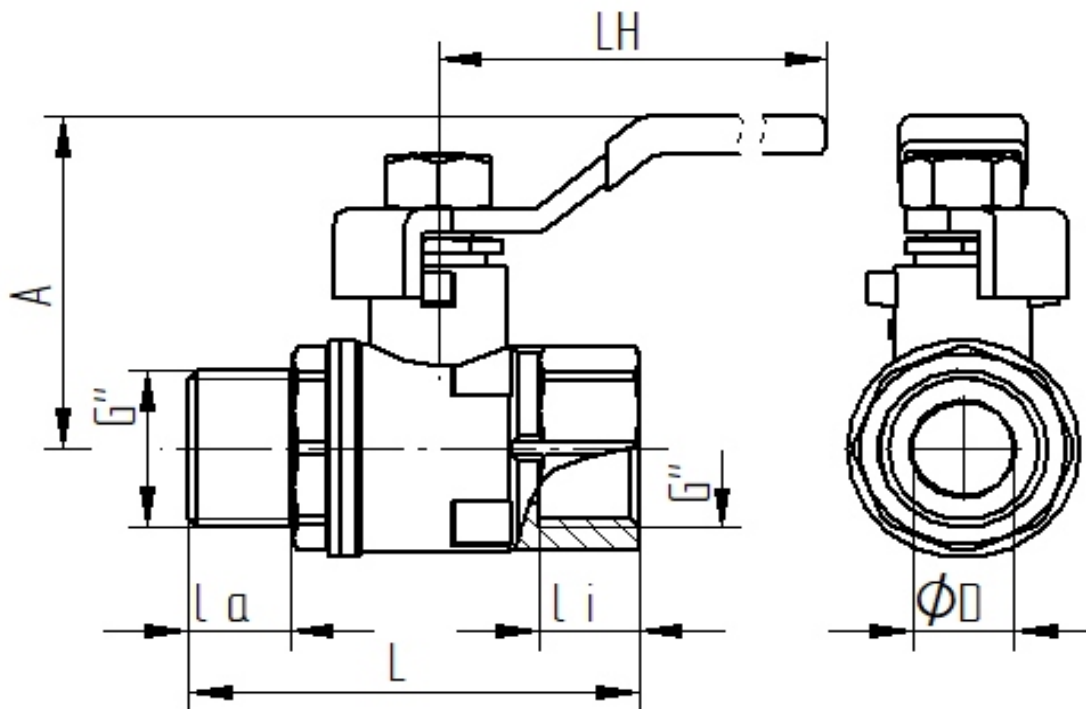
## Brass

### TECHNICAL DATA

|                    |   |
|--------------------|---|
| temperature range: | - 20°C up to max. + 150°C, pressure-dependent             |
| pressure range :   | max. PN 40 bar, depending on nominal size and temperature |
| compressed air:    | max. 10 bar   |
| connecting thread: | according to DIN EN ISO 228-1                             |
| body material:     | Brass CW617N nickel plated                                |
| threaded ends:     | Brass CW617N nickel plated                                |
| ball:              | Brass CW614N hard chromed                                 |
| ball seals:        | PTFE  |
| stem:              | Brass CW6174 nickel plated                                |
| stem seals:        | PTFE , O-Ring FKM with packing gland                      |
| handle:            | steel, red plastic coated                                 |



### Connecting thread female / male



| Art.Nr. | G"     | øD   | L mm  | li mm | la mm | A mm | LH mm | SW mm | PN bar | weight (g) |
|---------|--------|------|-------|-------|-------|------|-------|-------|--------|------------|
| 610-02  | 1/4"   | 10   | 47    | 10,5  | 10    | 42   | 91    | 20    | 40     | 147        |
| 610-03  | 3/8"   | 10   | 47    | 10,5  | 10    | 42   | 91    | 20    | 40     | 140        |
| 610-04  | 1/2"   | 13   | 56    | 12,5  | 13    | 45   | 91    | 26    | 40     | 209        |
| 610-05  | 3/4"   | 19   | 60    | 12,5  | 13    | 49   | 91    | 32    | 40     | 303        |
| 610-06  | 1"     | 24   | 78    | 16    | 17    | 58   | 100   | 40    | 32     | 534        |
| 610-07  | 1 1/4" | 32   | 86,5  | 14    | 16,5  | 72   | 130   | 48    | 25     | 780        |
| 610-08  | 1 1/2" | 38   | 95    | 14,5  | 17    | 77   | 130   | 54    | 20     | 971        |
| 610-09  | 2"     | 49,5 | 115   | 19,5  | 17,5  | 97   | 154   | 68    | 20     | 1661       |
| 610-10  | 2 1/2" | 59   | 143,5 | 24    | 18,5  | 119  | 224   | 80    | 16     | 2665       |